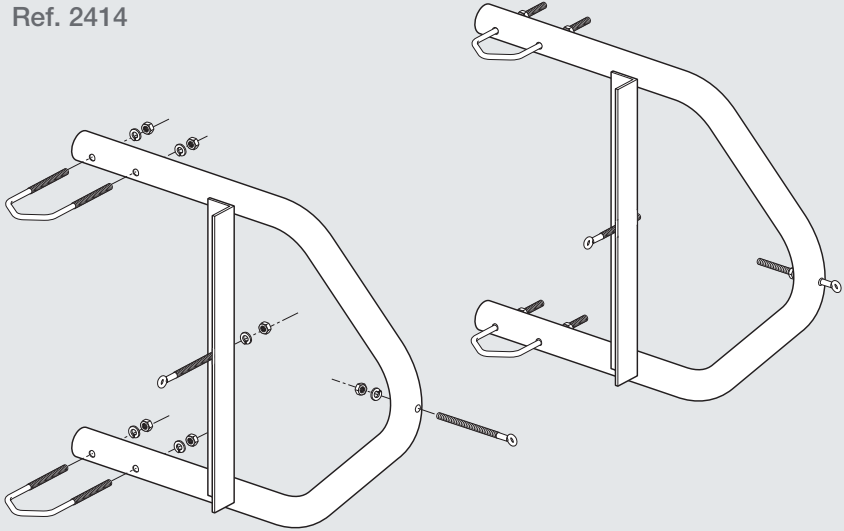


Ref. 2414



Ref. 2415

