



Intermediate frequency (IF) simulator 950 MHz...2150 MHz

IF simulator to assess the flatness and losses in an installation, in the absence of signal, by generating three signals distributed over the IF band (960 MHz, 1550 MHz, and 2140 MHz)

Ref.	4008
Logical ref.	SFG2150
EAN13	8424450040089

Packing

Box	1 pcs.
Bucket	40 pcs.

Physical data

Net weight	418.00 g
Gross weight	418.00 g
Width	98.00 mm
Height	67.00 mm
Depth	27.00 mm
Main product weight	201.00 g

Highlights

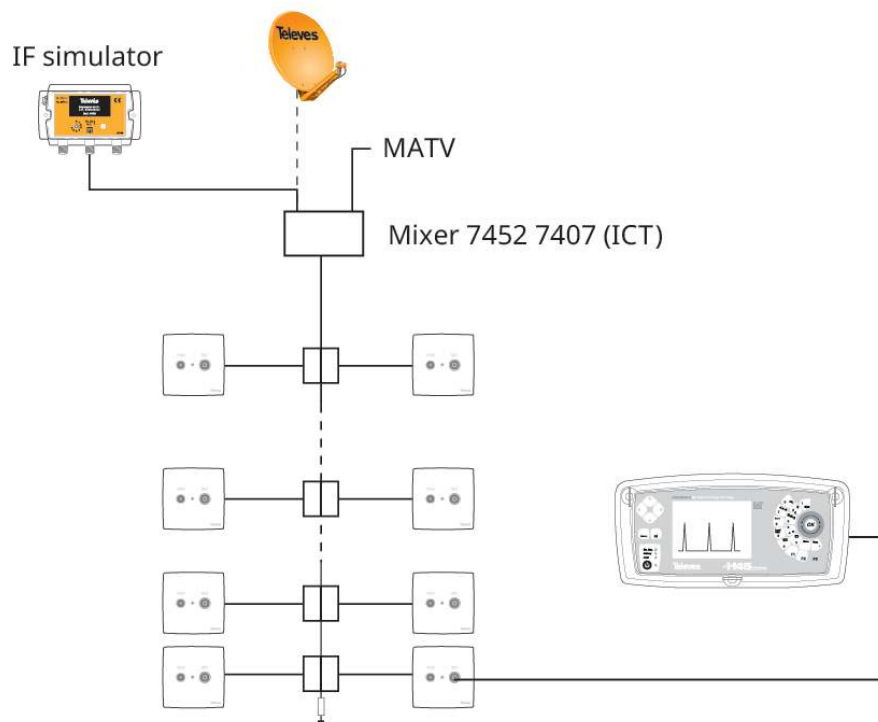
- Up to 8 different signal configuration types based on the combination of parameters such as output level, signal modulation, sweep generation and power supply, thanks to its thumbwheel
- Three intermediate frequencies: 960 MHz, 1550 MHz, and 2140 MHz
- On/Off LED

Main features

- Equipped with power supply
- Very limited size
- Zamak chassis
- F connectors

Application example

Installation verification.



Technical specifications

Powering	Vdc	12...18
Consumption	W	< 2
Output connector	type	"F" female
Frequency margin	MHz	960-1550-2150
Precision	KHz	Better than ± 200
Spurious	dBc	Better than -20
Protection level	IP	20