



## High-gain mast amplifier (one UHF channel) 3 inputs: UHF(channel)- UHF-VHFmix

Masthead amplifier for the amplification of terrestrial television signals coming from several antennas.

Equipped with 3 inputs, the UHF band is amplified, as is one single additional UHF channel (on demand); VHF signal is combined. The amplifier is powered through the output coaxial cable at 12- to-24 Vdc.

<b>Ref.</b>	535340
<b>EAN13</b>	8424450180006

### Other features

<b>Colour</b>	Orange
---------------	--------

### Packaging info

<b>Box</b>	1 pcs.
------------	--------

### Physical data

<b>Net weight</b>	367.00 g
<b>Gross volume</b>	0.85 dm <sup>3</sup>
<b>Gross weight</b>	400.00 g
<b>Width</b>	126.00 mm
<b>Height</b>	136.00 mm
<b>Depth</b>	40.00 mm
<b>Main product weight</b>	367.00 g

### Highlights

- Independent amplification for each individual band
- Manually-adjusted high-gain
- EasyF connection system
- Fully automated manufacturing, subject to the most stringent quality controls
- High-screening Zamak chassis
- LTE/4G filter to remove mobile phone interference
- ON/OFF switches to allow DC pass towards the UHF inputs for the powering of a BOSS system
- Easy mounting. Equipped with a plastic tie for mast mounting
- Resistant ABS-plastic orange case for outdoor installation
- Durability and UV resistance of plastic parts, validated under the ISO 4892-3:2016 standard

## Discover

---

### **EasyF connection system: simplicity and savings**

EasyF is an innovative connection concept where the inner conductor of the coaxial cable is directly inserted in the device, thus improving connection reliability. Thanks to the absence of F connectors, the chassis can be reduced and the connection of two cables secured with a single screw.

- Real time savings: speeding the installation is possible without the need for coaxial cable termination. Furthermore, there is no need for screwing the connectors on the device, which is sometimes difficult when there is little room
- Connection reliability: the clamp holding the cables prevents the coaxial cable to come off
- Cost savings: no additional connectors are required (neither F nor IEC)
- Space optimization: inputs and outputs are always on the same side of the device to prevent coaxial cables from bending, and to make working inside cabinets and register boxes easier
- Very easy three-step mounting: only screwing and unscrewing the covers is required to connect both cables:

1. Unscrew the device's cover to access the connection

2. Insert the previously stripped coaxial cables

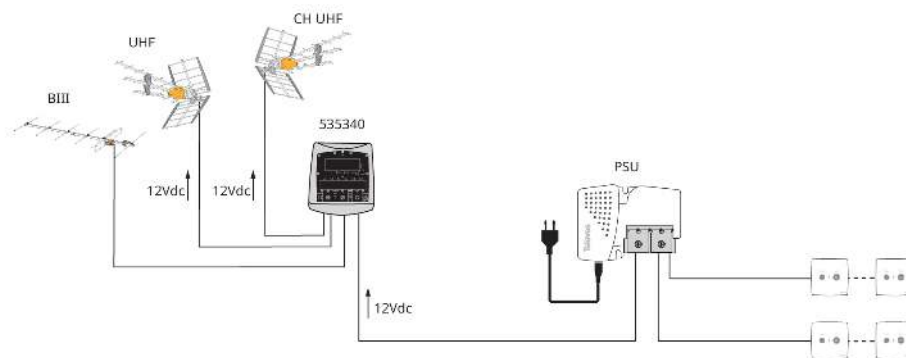
3. Close the cover and screw to ensure connection

## Learn more about EasyF system reliability

With EasyF, the connection between the coaxial cable and the device is carried out using an automated system for contact insertion of the inner conductor, without any soldering.

- Always as new: the device's operating life increases when the factor of solder wearing out with time is removed
- Failure rate reduction: usually produced as a result of cold soldering joints
- Electromagnetic behaviour optimization: for high frequencies
- Our commitment with environment is reinforced: pollution caused by the welding process is eliminated and production power consumption is reduced

## Application example



## Technical specifications : Ref. 535340

<b>Bands</b>		VHF		UHF
Frequency range	MHz	47 ... 254		470 ... 790
Gain	dB	-1.5		32
Gain adjustment range	dB	--		0 ... 20
Output level DIN45004B	dBmV	--		47
Output level EN60728-3 IMD3 2tones -35dB	dBmV	--		54
Output level EN60728-3 IMD3 2tones -60dB	dBmV	--		44
Noise figure	dB	--		1.5
Number of inputs			3	
Inputs/Bands		VHF	UHF	UHF(channel)
Max current input	mA	0	40	40
Powering	Vdc		12 ... 24	
Current consumption	mA		50	
Protection index (IP)			23	
Operating temperature	°F		23 ... 113	