



NevoSwitch 5 inputs - 4 outputs

When quality matters

Cascadable multiswitch equipped with 5 inputs (one terrestrial, and the four polarities of one satellite), 4 user outputs, and a 12 dB potentiometer per user output.

Can be used as a terminal (star topology) or as a cascade by using a simple switch.

Ref.	714501
Logical ref.	MS54C
EAN13	8424450172711

Packaging info

Box	1 pcs.
------------	--------

Physical data

Net weight	378.00 g
Gross weight	378.00 g
Width	137.00 mm
Height	121.00 mm
Depth	29.00 mm
Main product weight	358.00 g

Highlights

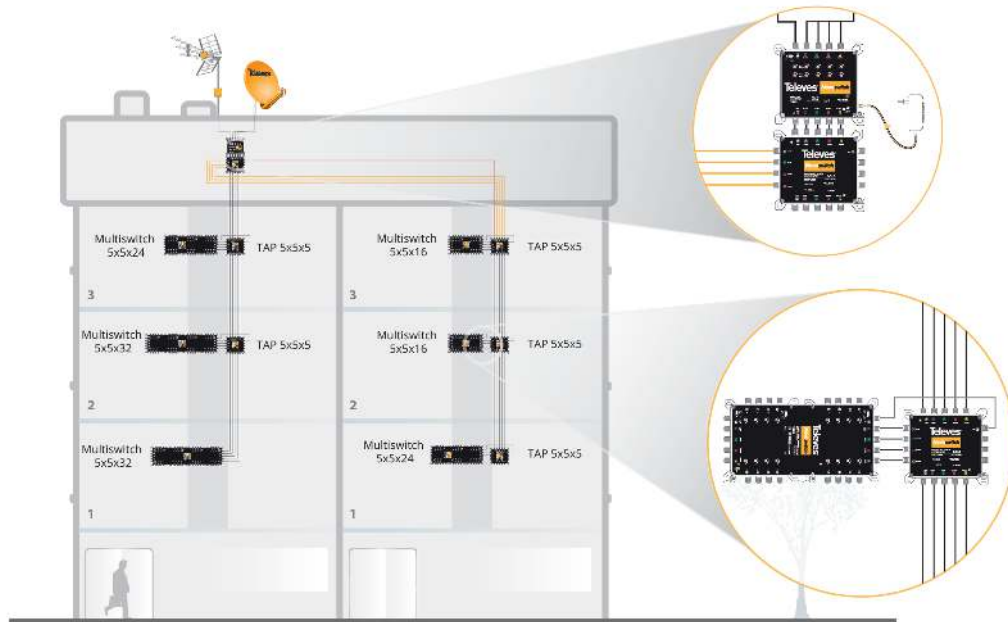
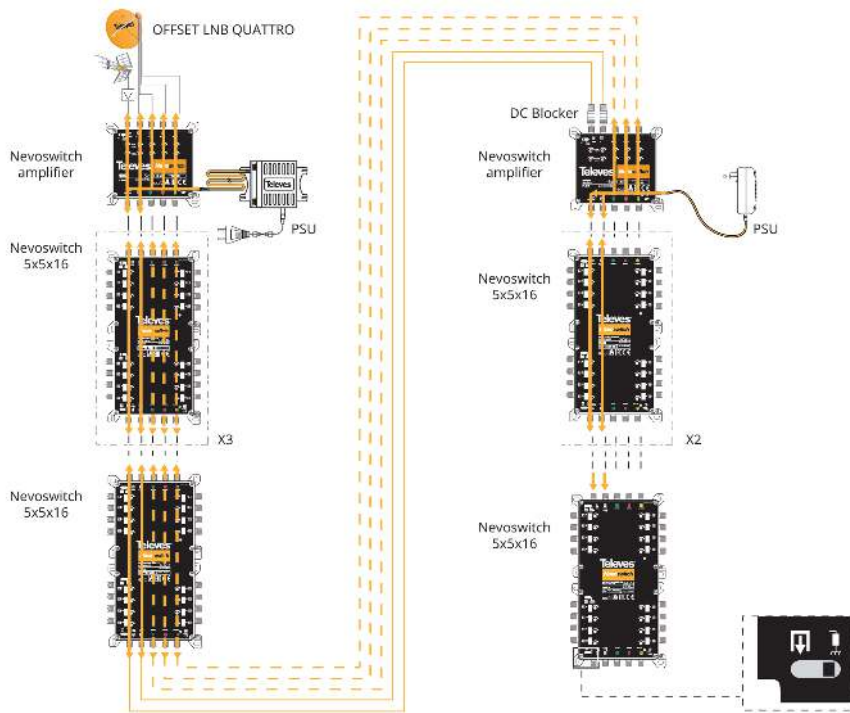
- One potentiometer (12 dB) on each of the user outputs to optimize the level on an individual basis
- A switch for either powering terrestrial pre-amplifiers or allowing current circulation

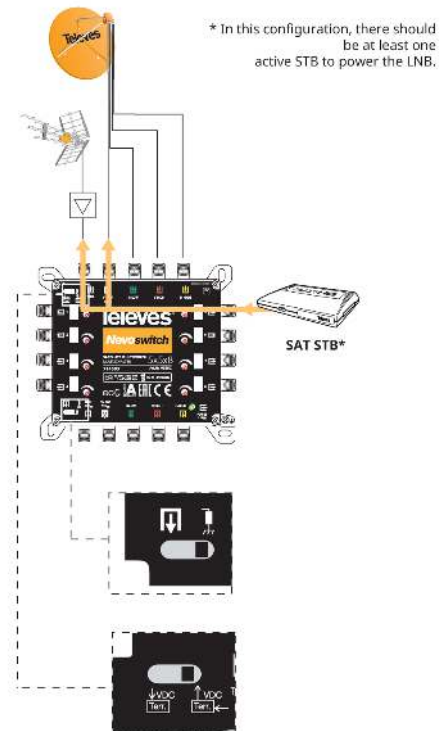
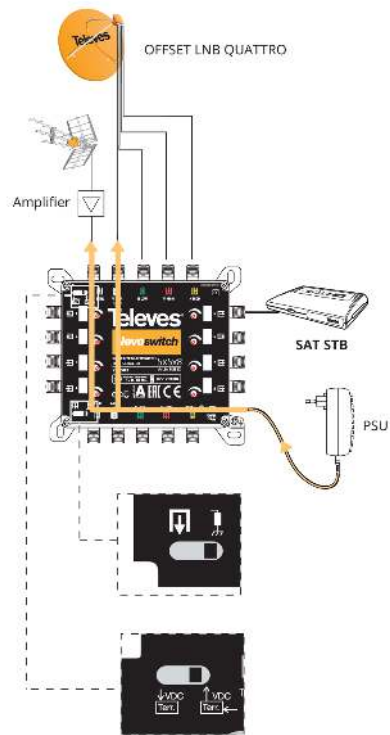
- Can be powered directly from the satellite receiver, without the need for a power supply unit*
- Remote power feeding using VL
- Current circulation between all inputs and cascades
- Active terrestrial
- European design, quality, and manufacturing

Main features

- Very compact
- Made of zamak
- Input and output colour identification
- Available ECO mode
- Selector switch to shift between cascade and terminal modes
- 12 V power supply
- Low power consumption

Application example





Technical specifications : Ref. 714501

Number of inputs		5
Number of cascable outputs		5
Number of user outputs		4
Frequency range TERR.	MHz	47 ... 862
Frequency range SAT.	MHz	950 ... 2400
Input level TERR.	dB μ V	92
Input level SAT.	dB μ V	105
Through losses TERR.	dB	2
Through losses SAT.	dB	1.5 ... 4
Tap losses 1...8 TERR.	dB	2
Tap losses 1...8 SAT.	dB	1
Tap regulation range	dB	0 ... 12
Isolation H/V	dB	> 30
Isolation users	dB	> 25
Powering	Vdc	12
Max. current (PSU)	mA	40
Max. current (STB)	mA	35
Operating temperature	°C	-5 ... 45
Protection index		20