



NevoSwitch 9 inputs - 24 outputs

When quality matters

Multiswitch equipped with 9 inputs (one terrestrial and 8 for two satellites, each with its four polarities) and 24 user outputs.

Can be used as a terminal (star topology) or as a cascade by using a simple switch.

Ref.	714604
Logical ref.	MS924C
EAN13	8424450173107

Packing

Box	1 pcs.
------------	--------

Physical data

Net weight	1,830.00 g
Gross weight	1,830.00 g
Width	206.00 mm
Height	386.00 mm
Depth	29.00 mm
Main product weight	1,818.00 g

Highlights

- 10 dB Low Gain (LG) / High Gain (HG) switch for the attenuation of the satellite input signal for each 8-user group
- Remote power feeding using VL
- Current circulation between all inputs and cascades

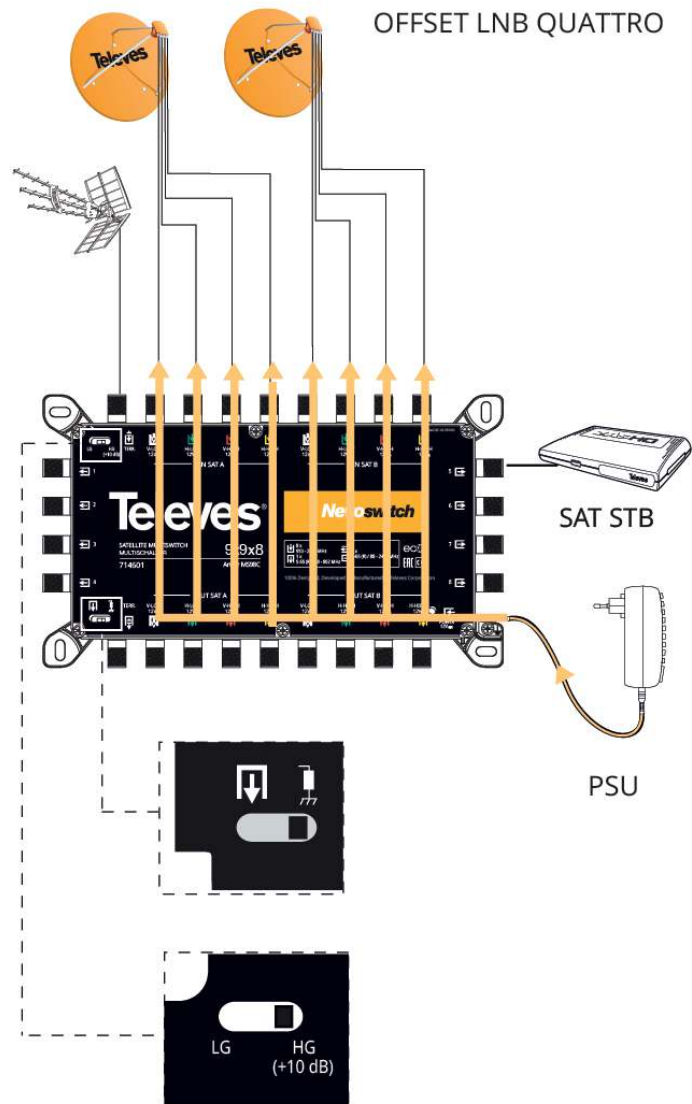
- Compatible with return-channel applications
- European design, quality, and manufacturing

Main features

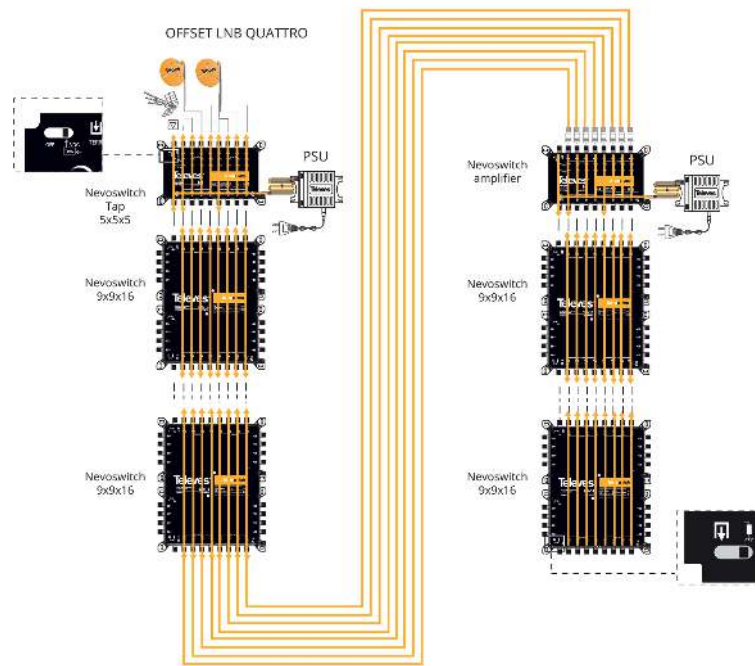
- Very compact
- Made of zamak
- Input and output colour identification
- Available ECO mode
- Selector switch to shift between cascade and terminal modes
- 12 V power supply
- Low power consumption

Application example

SIMPLE CONFIGURATION



CASCADE CONFIGURATION



Technical specifications : Ref. 714604

Number of inputs		9
Number of cascable outputs		9
Number of user outputs		24
Frequency range TERR.	MHz	88 ... 862
Frequency range SAT.	MHz	950 ... 2400
Input level TERR.	dBµV	90
Input level SAT.	dBµV	112
Through losses TERR.	dB	6
Through losses SAT.	dB	6 ... 15
Tap losses 1...8 TERR.	dB	4
Tap losses 1...8 SAT.	dB	0
Tap losses 9...16 TERR.	dB	6
Tap losses 9...16 SAT.	dB	4
Tap losses 17...24 TERR.	dB	8
Tap losses 17...24 SAT.	dB	8
Isolation H/V	dB	> 30
Isolation users	dB	> 25
Powering	Vdc	12
Max. current (PSU - LG)	mA	130
Max. current (PSU - HG)	mA	265
Max. current (STB)	mA	35
Operating temperature	°C	-5 ... 45
Protection index		20