



Quad LNB offset 4 outputs: Hh/Vh/HL/VI

Quad LNB converter, equipped with four universal outputs, each with the four polarity/band combinations (Hh, Hl, Vh, Vl).

Ref.	747202
Logical ref.	SPU44EN
EAN13	8424450137093

Other features

Colour	Grey
---------------	------

Packaging info

Box	1 pcs.
Carton	50 pcs.
Pallet	600 pcs.

Physical data

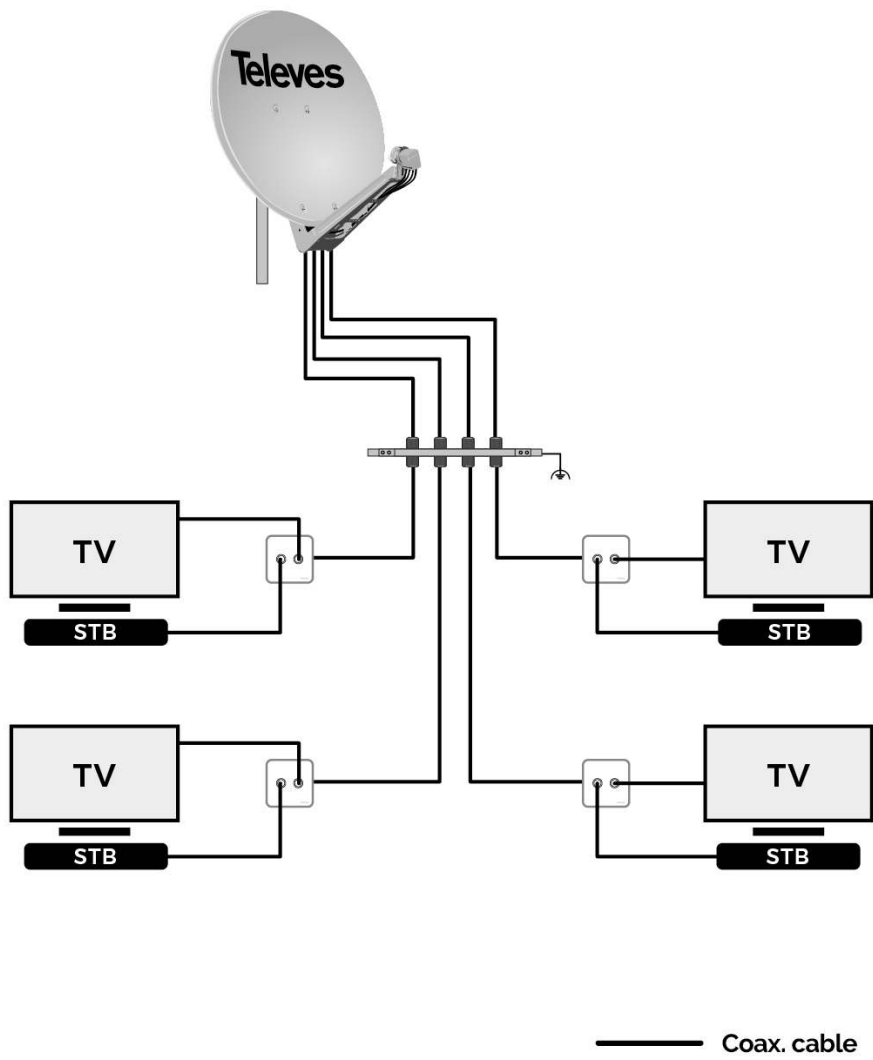
Net weight	360.00 g
Gross volume	1.36 dm ³
Gross weight	360.00 g
Width	149.00 mm
Height	113.00 mm
Depth	65.00 mm
Main product weight	317.00 g

Highlights

- Low visual impact design and small casing
- High gain
- Low noise figure
- Outstanding linearity and careful equalization

- High discrimination between polarities
- Very high IP protection index (IP66)
- Can be used under extreme temperature conditions
- Light-weight
- Compatible with 40-mm supports
- Low power consumption
- Power feeding either through the receiver or the multiswitch
- Simple connection
- Multisatellite-compatible solutions

Application example



Technical specifications : Ref. 747202

Frequency range	GHz	10.7 ... 12.75
Control signals Horizontal	Vdc	16 ... 19
Control signals Vertical	Vdc	12 ... 14
Output frequency range	MHz	950 ... 2150
L.O. frequency 0KHz	GHz	9.75
L.O. frequency 22KHz	GHz	10.6
Gain	dB	60
Noise figure	dB	0.3
L.O. stability	MHz	-1.5 ... 1.5
Polarities discrimination	dB	> 20
Phase noise (@10 KHz)	dBc	-80
Powering	Vdc	11 ... 19
Max. current	mA	150
Impedance	Ω	75
Connectors		"F" female
LNB-bracket diameter	in	1.575
Operating temperature	°F	-22 ... 140