



## RJ45 – SFP media converter 10/100/1000Mbps, Single-mode (SM) / Multi-mode (MM)

This optical media converter allows extending communication by transmitting data over single-mode (SM) or multimode (MM) fibers. This transceiver device receives 10/100/1000BASE-TX electrical signals through a RJ45 connector, converts these signals, and transmits them over a 1000BASE-FX fiber link using a SFP transceiver. Designed to provide a high-reliable performance, it is the ideal option for overcoming long link distances in point-to-point data transmission (up to 10 km).

|                     |               |
|---------------------|---------------|
| <b>Ref.</b>         | 769215        |
| <b>Logical ref.</b> | MKRJ45-SFP    |
| <b>EAN13</b>        | 8424450271773 |

### Packaging info

|            |        |
|------------|--------|
| <b>Box</b> | 1 pcs. |
|------------|--------|

### Physical data

|                     |                      |
|---------------------|----------------------|
| <b>Net weight</b>   | 238.00 g             |
| <b>Gross volume</b> | 1.63 dm <sup>3</sup> |
| <b>Gross weight</b> | 326.00 g             |
| <b>Width</b>        | 71.00 mm             |
| <b>Height</b>       | 26.00 mm             |
| <b>Depth</b>        | 98.00 mm             |
| <b>Main product</b> | 238.00 g             |

### Highlights

---

- Plug & Play: Easy and fast installation
- Compatible with SFP transceivers (1 Gbps)
- Compatible with Cat 5 or higher data cables
- Compatible with IEEE 802.3 (10BASE-T), IEEE 802.3u (100BASE-TX), IEEE 802.3ab (1000BASE-T), 802.3x (1000BASE-X), IEEE 802.3x (Flow Control) standards
- MDI/MDIX auto-detection
- Metal case that offers a professional design, as well as good thermal management
- Transmission range up to 10 km
- 1x 10/100/1000Mbps Full/Half Duplex RJ45 port
- Monitoring and diagnostic LED indicators
- Low time delay
- Limited size
- Power supply unit included

### Discover

---

#### **What is a SFP?**

The Small Form-Factor Pluggable (SFP) devices are adapters that generate an interface to allow access to an Ethernet signal through Optical Fiber. These devices can be connected to the inputs of different Ethernet and GPON equipment, allowing the transmission/reception of the information by connecting to single-mode or multi-mode fiber or Ethernet cables.

Among the advantages of using SFP modules, we can highlight the reduction of space, lower energy consumption, or the increase of transmission distances.

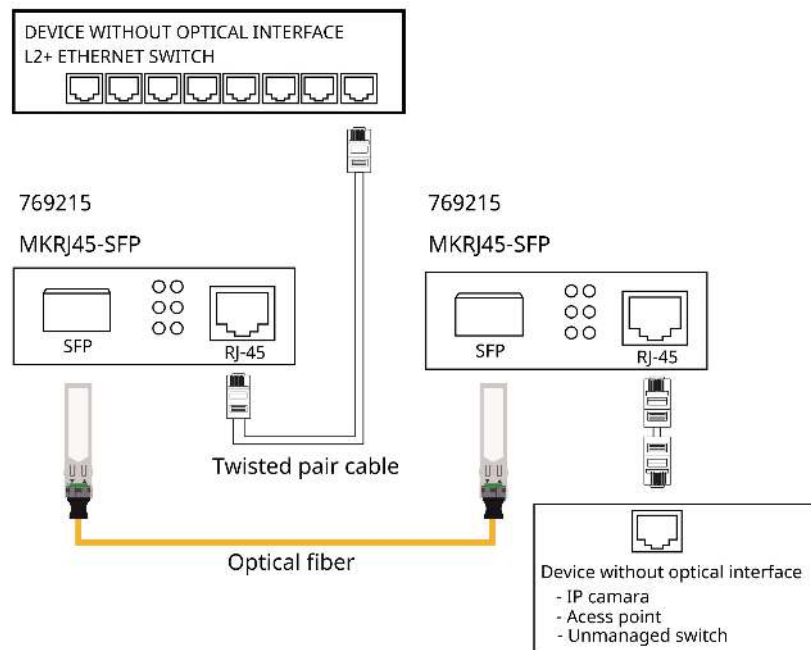
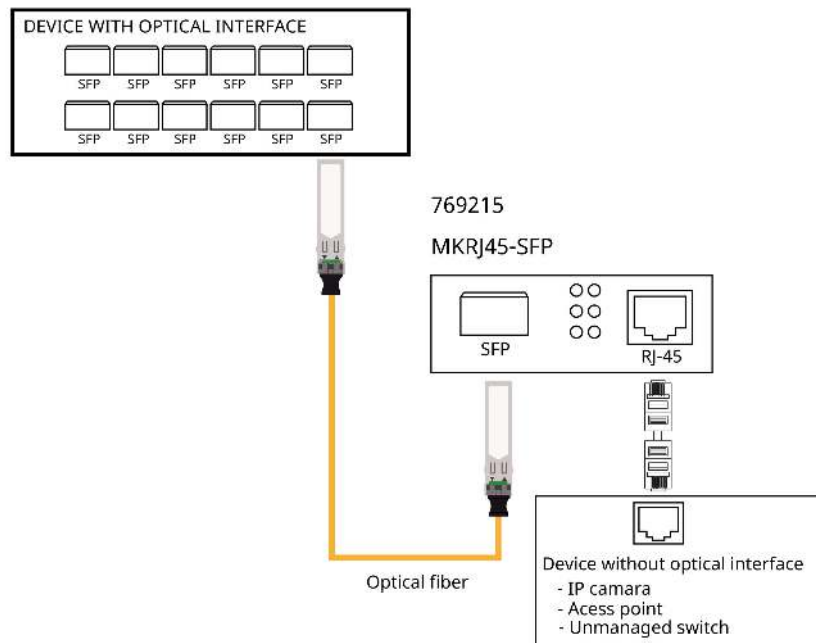
## Which SFP do I need?

Based on the devices to which they are connected, the transmission speed, or the type of cable used, several options are available in the whole range of media converters. The compatibility between the SFPs and the different Ethernet and GPON equipment is described below.

|  | 1GbE Transceivers |        |        | 1/10GbE Transceiver | 10GbE Transceivers |        | 1GbE RJ45 Transceiver | ONU    | GPON Transceivers |           |
|--|-------------------|--------|--------|---------------------|--------------------|--------|-----------------------|--------|-------------------|-----------|
|  | 769150            | 769210 | 769212 | 291221              | 769214             | 769412 | 769411                | 769520 | 769410/13         | 769414/15 |
| <b>SFP Switches</b> (768115, 768116, 768150, 769140, 769141, 769144, 769147, 769152) | OK                | OK     | OK     | OK                  | -                  | -      | -                     | OK     | -                 | -         |
| <b>SFP+ Switches</b> (769145, 769146, 769148, 769149, 769151, 769152, 769153)        | OK                | OK     | OK     | OK                  | OK                 | OK     | -                     | OK     | -                 | -         |
| <b>SFP+ Routers</b> (769115, 769122)   | OK                | OK     | OK     | OK                  | OK                 | -      | -                     | -      | -                 | -         |
| <b>OLT512EVO</b> (769403)  | OK                | -      | OK     | OK                  | OK                 | OK     | OK                    | -      | OK                | OK        |
| <b>OLT3072</b> (769420, 769421, 769422)  | -                 | -      | OK     | OK                  | -                  | OK     | OK                    | -      | OK                | -         |
| <b>Media Converter</b> (769215)  | OK                | OK     | OK     | OK                  | -                  | -      | -                     | -      | -                 | -         |
| <b>WaveData</b> (769002)   | OK                | OK     | OK     | OK                  | -                  | -      | -                     | -      | -                 | -         |

## Application example

---



## Technical specifications : Ref. 769215

|   |     |  |            |
|---|-----|--|------------|
| Data connector type                                 |     |  | RJ45       |
| Number of Gigabit Ethernet ports (10/100/1000BaseT) |     |  | 1          |
| Number of SFP ports (1 Gbps)                        |     |  | 1          |
| Transmission distance                               | km  |  | 0 ... 10   |
| PoE input   |     |  | No         |
| Powering  | Vdc |  | 5          |
| Max. current  | mA  |  | 1000       |
| Max. power consumption                              | W   |  | 5          |
| Operating temperature                               | °F  |  | 32 ... 122 |
| Storage temperature                                 | °F  |  | -4 ... 158 |
| Housing material                                    |     |  | Steel      |
| Color   |     |  | Black      |