



8-output EDFA optical amplifier, 1RU rack 19" 1550 nm, Po 10 dBm

This device consists of an amplifier and a double power supply. It amplifies a 1550nm optical signal with an output power of 10 dBm in 8 optical outputs, suitable for video distribution in medium size splitting optical networks. Based on EDFA (Erbium doped fiber) technology, it provides a high gain and a low noise factor.

Ref.	769622
Logical ref.	OV1U108
EAN13	8424450224137

Packing

Box	1 pcs.
------------	--------

Physical data

Net weight	3,710.00 g
Gross weight	3,710.00 g
Width	483.00 mm
Height	44.00 mm
Depth	376.00 mm
Main product weight	3,710.00 g

Highlights

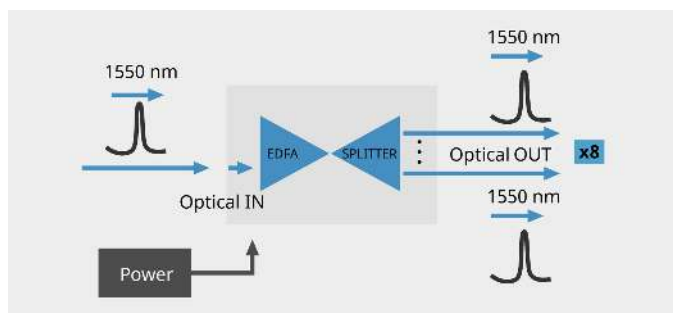
- High-optical output power amplifier
- Application to distribute RF Overlay in optical networks

- -10 dBm to +10 dBm input range
- Status LED indicators
- High-efficiency power supply
- Hot swappable double power supply: subscriber service is not interrupted

Main features

- 1RU for rack 19"
- Extended range (99-253 VAC) power supply
- Suitable for medium/large size optical networks
- SC/APC optical connectors

Graphic documentation



Block diagram

Technical specifications : Ref. 769622

Number of input optical ports RF Overlay		1
Number of output optical ports		8
Wavelength (@RF Overlay)	nm	1540 ... 1560
Optical input power RF Overlay Min	dBm	-10
Optical input power RF Overlay Max	dBm	10
Optical output power RF Overlay	dBm	10
Noise figure Max	dB	5.5
Optical return losses	dB	-40
C/N	dB	51
CSO Max	dB	-65
CTB Max	dB	-65
Optical connectors		SC/APC
Protection index (IP)		20
Operating temperature	°C	-5 ... 45
Mains frequency		50 Hz / 60 Hz
PSU input voltage	Vac	110 ... 230
Max PSU current input	mA	110
PSU input power Max	W	5.5

* Measurements made with: external modulator transmitter, 40km fiber, optical input power to the receiver of -0.6dBm