



QSD75 aluminium offset dishes

Quality signal reception for life

75 cm x 85 cm offset aluminium satellite dish for satellite signal reception. satellite dish in the QSD (Quality Satellite Dish) series, of an extremely high quality, achieved after undergoing the most stringent controls to ensure the best behaviour and robustness.

Ref.	790204
Logical ref.	S75QSD-W
EAN13	8424450149706

Other features

Colour	White
Power Supply Unit	Not included
Supply method	Single packing

Packaging info

Box	1 pcs.
Pallet	12 pcs.

Physical data

Net weight	11,000.00 g
Gross volume	170.90 dm ³
Gross weight	11,000.00 g
Width	800.00 mm
Height	920.00 mm
Depth	820.00 mm
Main product weight	7,457.00 g

Highlights

- Aluminium reflector with an outstanding Brinell hardness
- Zamak LNB support with height adjustment

- The mounting support provides an outstanding stability to the whole structure
- Dimensions, design and characteristics reflect maximum precision
- Pre-assembled antenna designed to reduce installation time: only four steps are required
- Very stable structure and long service life, thanks to the robust back support
- Reinforced galvanized arm
- Cable concealed inside the arm to improve overall appearance
- The aluminium dish, the galvanized support and the stainless-steel screws ensure a long-lasting life
- TÜV Nord certified (German certification authority: the dish passed the most stringent safety and quality tests carried out by this renowned and prestigious body)
- Multi-satellite option (4 satellites), up to 20° (ref. 790901 and 790902)
- Includes Televes logo

Mounting details

Thanks to the pre-assembled parts, equipment in the QSD series is very easily mounted, in as little as 5 steps:



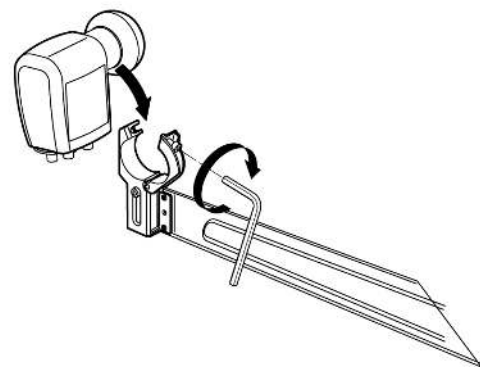
1



2



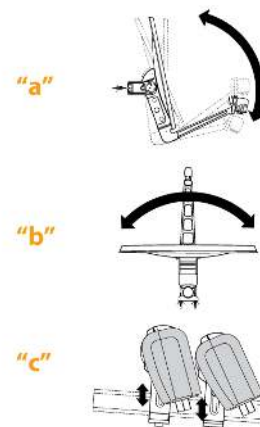
3



4



5



6

Technical specifications : Ref. 790204

Frequency range	MHz	10.7 ... 12.75
Gain (11.75GHz)	dBi	38.5
Offset angle	°	27.8
Elevation angle	°	10 ... 80
Beamwidth	°	2.3
F/D ratio		0.6000
Dish size: Height	in	33.465
Dish size: Width	in	29.528
Dish material		Aluminium
LNB-bracket diameter	in	1.575
Wind load (@130Km/h)	N	523.2
Wind load (@150Km/h)	N	719.4
Mast diameter	in	1.772 ... 3.543