



QSD85 aluminium offset dishes 85x95cm

Quality signal reception for life
85 cm x 95 cm offset aluminium dish for satellite signal reception. satellite dish in the QSD (Quality Satellite Dish) series, of an extremely high quality, achieved after undergoing the most stringent controls to ensure the best behaviour and robustness.

Ref.	790304
Logical ref.	S85QSD-W
EAN13	8424450149713

Other features

Colour	White
Power Supply Unit	Not included
Supply method	Single packing

Packaging info

Box	1 pcs.
Pallet	12 pcs.

Physical data

Net weight	12,640.00 g
Gross volume	204.00 dm ³
Gross weight	12,640.00 g
Width	989.00 mm
Height	895.00 mm
Depth	1,072.00 mm
Main product weight	8,544.00 g

Highlights

- Aluminium reflector with an outstanding Brinell hardness
- Zamak LNB support with height adjustment

- The mounting support provides an outstanding stability to the whole structure
- Dimensions, design and characteristics reflect maximum precision
- Pre-assembled antenna designed to reduce installation time: only four steps are required
- Very stable structure and long service life, thanks to the robust back support
- Reinforced galvanized arm
- Cable concealed inside the arm to improve overall appearance
- The aluminium dish, the galvanized support and the stainless-steel screws ensure a long-lasting life
- TÜV Nord certified (German certification authority: the dish passed the most stringent safety and quality tests carried out by this renowned and prestigious body)
- Multi-satellite option (4 satellites), up to 20° (ref. 790901 and 790902)
- Includes Televes logo

Mounting details

Thanks to the pre-assembled parts, equipment in the QSD series is very easily mounted, in as little as 5 steps:



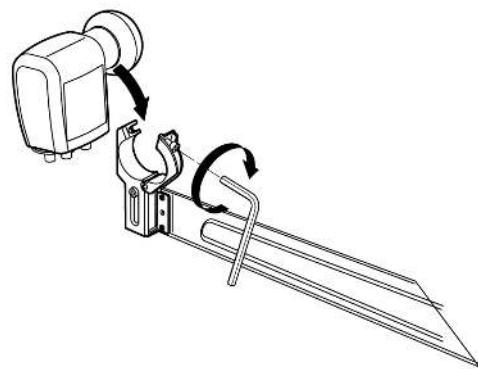
1



2



3



4



5



6

Technical specifications : Ref. 790304

Frequency range	GHz	10.7 ... 12.75
Gain (11.75GHz)	dBi	39.5
Offset angle	°	27.2
Elevation angle	°	10 ... 80
Beamwidth	°	1.98
F/D ratio		0.6000
Dish size: Height	in	37.598
Dish size: Width	in	33.465
Dish material		Aluminium
LNB-bracket diameter	in	1.575
Wind load (@130Km/h)	N	672
Wind load (@150Km/h)	N	924
Mast diameter	in	1.772 ... 3.543