



## ISD 630 aluminium satellite dish 63x57cm

Designed to last

63 cm x 57 cm offset aluminium satellite dish for satellite signal reception.

Provides an outstanding performance against corrosion, thanks to the aluminium reflector and the stainless steel screws.

The structure was designed to make the mounting easier.

---

<b>Ref.</b>	793011
<b>Logical ref.</b>	S630ISD-100
<b>EAN13</b>	8424450184752

---

### Other features

---

<b>Colour</b>	Orange
<b>Power Supply Unit</b>	Not included
<b>Supply method</b>	Multiple packing

---

### Packaging info

---

<b>Box</b>	10 pcs.
<b>Pallet</b>	100 pcs.

---

### Physical data

---

<b>Net weight</b>	1,600.00 g
<b>Gross volume</b>	6.75 dm <sup>3</sup>
<b>Gross weight</b>	1,624.00 g
<b>Width</b>	575.00 mm
<b>Height</b>	637.00 mm
<b>Depth</b>	620.00 mm
<b>Main product weight</b>	1,600.00 g

---

### Highlights

---

- Stainless steel reflector and screws
- Robust structure: flexible LNB support and clamp, made of a special polymer reinforced with glass fiber
- The LNB is fixed on its support even without any screws
- An hex wrench is integrated in the LNB support itself for nut adjustment
- Aluminium arm that allows the concealing of the cable layout on the inside
- Adjustable elevation angle from 0° to 90°
- Robust mounting with Zamak clamp and support, as well as two U-bolts
- Optimized design to make mounting easier
- Light-weight
- Includes Televes logo

## Discover

---

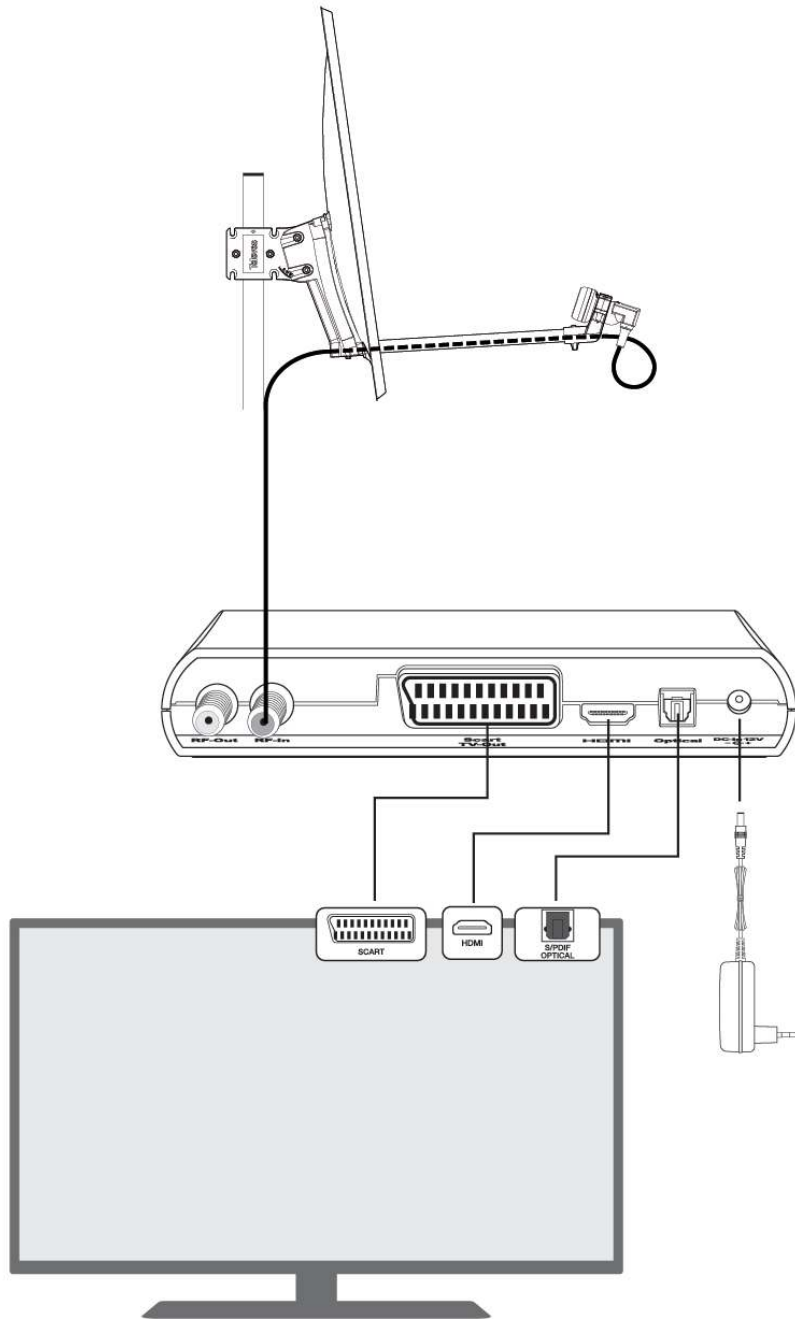
### **FIBERGLASS REINFORCED: HOW DOES GLASS FIBRE IMPROVE OUR PRODUCTS?**

Plastics reinforced with glass fibre last longer, are anti-magnetic, fire resistant and provide excellent electric insulation. Here are the main reasons why glass fibre improves our antennas:

- Immunity to corrosion
- Lightweight, which makes mounting easier
- Flexibility, which improves material performance under adverse weather conditions

## Application example

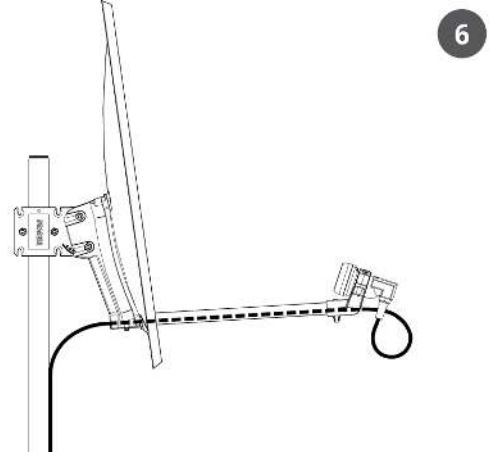
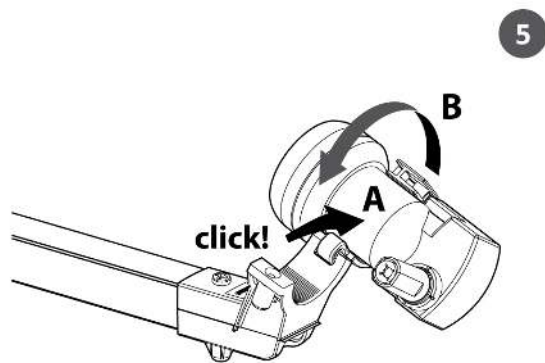
---



## Mounting details

---

1. Screws are pre-assembled on the support and protected against corrosion.  
The dish is conveniently anchored thanks to the shape of the holes.
2. The mounting of the arm is a quick procedure requiring a single screw.
3. The reflector's support is easily assembled in the elevation mechanism.  
The elevation angle is adjustable from 0 to 90°.
4. Integrated hex wrench (die type). Only tearing off the plastic and tightening the nut is required.
5. The LNB fits in the support and is held in place during installation.
6. The coaxial cable layout is concealed inside the aluminium arm.



## Technical specifications : Ref. 793011

Frequency range	GHz	10.7 ... 12.75
Gain (11.75GHz)	dBi	35.5
Offset angle	°	26.2
Elevation angle	°	0 ... 90
Dish size: Height	in	25.079
Dish size: Width	in	22.638
Dish material		Aluminium
LNB-bracket diameter	in	1.575
Wind load (@130Km/h)	N	278.4
Wind load (@150Km/h)	N	283.8
Mast diameter	in	0.787 ... 2.362