



ISD 830 aluminium satellite dish 83x75cm

Designed to last

Offset aluminium satellite dish for the reception of satellite signals.

Provides an outstanding performance against corrosion, thanks to the aluminium reflector and the stainless steel screws.

The structure was designed to make the mounting easier.

Ref.	793111
Logical ref.	S830ISD-50
EAN13	8424450184844

Other features

Colour	Orange
Power Supply Unit	Not included
Supply method	Multiple packing

Packaging info

Box	5 pcs.
Pallet	50 pcs.

Physical data

Net weight	2,131.00 g
Gross volume	2.90 dm ³
Gross weight	2,131.00 g
Width	747.00 mm
Height	833.00 mm
Depth	660.00 mm
Main product weight	2,131.00 g

Highlights

- Stainless steel reflector and screws
- Robust structure: flexible LNB support and clamp, made of a special polymer reinforced with glass fiber
- The LNB is fixed on its support even without any screws
- An hex wrench is integrated in the LNB support itself for nut adjustment
- Aluminium arm that allows the concealing of the cable layout on the inside
- Adjustable elevation angle from 0° to 90°
- Robust mounting with Zamak clamp and support, as well as two U-bolts
- Optimized design to make mounting easier
- Light-weight
- Includes Televes logo

Discover

FIBERGLASS REINFORCED: HOW DOES GLASS FIBRE IMPROVE OUR PRODUCTS?

Plastics reinforced with glass fibre last longer, are anti-magnetic, fire resistant and provide excellent electric insulation. Here are the main reasons why glass fibre improves our antennas:

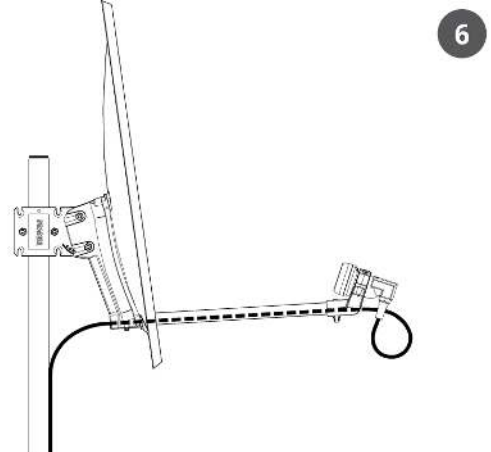
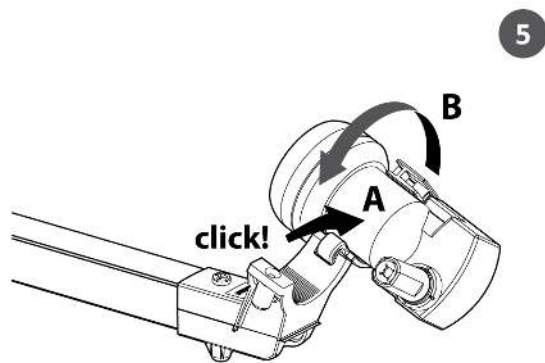
- Immunity to corrosion
- Lightweight, which makes mounting easier
- Flexibility, which improves material performance under adverse weather conditions

Mounting details

1. Screws are pre-assembled on the support and protected against corrosion.

The dish is conveniently anchored thanks to the shape of the holes.

2. The mounting of the arm is a quick procedure requiring a single screw.
3. The reflector's support is easily assembled in the elevation mechanism.
The elevation angle is adjustable from 0 to 90°.
4. Integrated hex wrench (die type). Only tearing off the plastic and tightening the nut is required.
5. The LNB fits in the support and is held in place during installation.
6. The coaxial cable layout is concealed inside the aluminium arm.



Technical specifications : Ref. 793111

Frequency range	GHz	10.7 ... 12.75
Gain (11.75GHz)	dBi	38
Offset angle	°	26.6
Elevation angle	°	0 ... 90
Dish size: Height	in	32.795
Dish size: Width	in	29.409
Dish material		Aluminium
LNB-bracket diameter	in	1.575
Wind load (@130Km/h)	N	499.2
Wind load (@150Km/h)	N	686.4
Mast diameter	in	0.787 ... 2.362