



Low-gain mast amplifier (split band) 4 inputs: BIII/DAB- UHF-21...31-34...48

Masthead amplifier for the amplification of terrestrial television signals coming from several antennas.

Equipped with 4 inputs, with amplification on all bands. The UHF band is split into 2 inputs: one for channels 21 to 31, the other for channels 34 to 48. This proves useful in installations that receive signals from two repeaters, since it allows the filtering of the channels that do not correspond to each of them.

The amplifier is powered with 12 Vdc through the output coaxial cable.

RED compliant.

Ref.	53552034
EAN13	8424450273227

Other features

Colour	Orange
---------------	--------

Packaging info

Box	1 pcs.
------------	--------

Physical data

Net weight	450.00 g
Gross volume	0.92 dm ³
Gross weight	479.00 g

Carton

5 pcs.

Highlights

- Independent amplification for each individual band
- EasyF connection system
- Fully automated manufacturing, subject to the most stringent quality controls
- High-screening Zamak chassis
- LTE/5G filter to remove mobile phone interference
- ON/OFF switches to allow DC pass towards the UHF inputs for the powering of a BOSS system
- Easy mounting. Equipped with a plastic tie for mast mounting
- Resistant ABS-plastic orange case for outdoor installation
- Durability and UV resistance of plastic parts, validated under the ISO 4892-3:2016 standard

Discover

EasyF connection system: simplicity and savings

EasyF is an innovative connection concept where the inner conductor of the coaxial cable is directly inserted in the device, thus improving connection reliability. Thanks to the absence of F connectors, the chassis can be reduced and the connection of two cables secured with a single screw.

- Real time savings: speeding the installation is possible without the need for coaxial cable termination. Furthermore, there is no need for screwing the connectors on the device, which is sometimes difficult when there is little room
- Connection reliability: the clamp holding the cables prevents the coaxial cable to come off
- Cost savings: no additional connectors are required (neither F nor IEC)
- Space optimization: inputs and outputs are always on the same side of the device to prevent coaxial cables from bending, and to make working inside cabinets and register boxes easier
- Very easy three-step mounting: only screwing and unscrewing the covers is required to connect both cables:

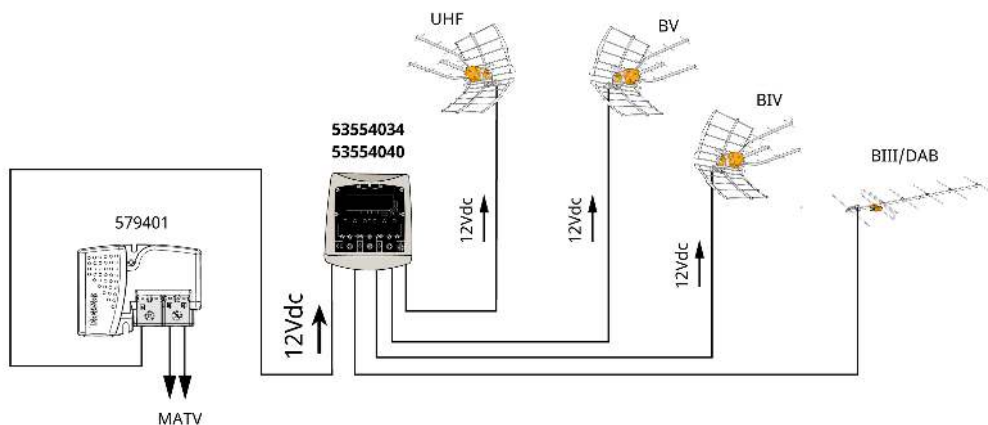
1. Unscrew the device's cover to access the connection
2. Insert the previously stripped coaxial cables
3. Close the cover and screw to ensure connection

Learn more about EasyF system reliability

With EasyF, the connection between the coaxial cable and the device is carried out using an automated system for contact insertion of the inner conductor, without any soldering.

- Always as new: the device's operating life increases when the factor of solder wearing out with time is removed
- Failure rate reduction: usually produced as a result of cold soldering joints
- Electromagnetic behaviour optimization: for high frequencies
- Our commitment with environment is reinforced: pollution caused by the welding process is eliminated and production power consumption is reduced

Application example



Technical specifications : Ref. 53552034

Bands		HighVHF	BIV	BV	UHF
Frequency range	MHz	174 ... 254	470 ... 550	574 ... 694	470 ... 694
Gain	dB	26	27	27	28
Gain adjustment range	dB	0 ... 18	0 ... 15	0 ... 15	0 ... 15
Output level DIN45004B	dBmV	49	54	54	54
Output level EN60728-3 IMD3 2tones -35dB	dBmV	55	61	61	61
Output level EN60728-3 IMD3 2tones -60dB	dBmV	45	51	51	51
Noise figure	dB	5	10	10	9
Number of inputs			4		
Inputs/Bands		HighVHF/DAB	BIV	BV	UHF
Max current input	mA	0	70	70	70
Powering	Vdc			12	
Current consumption	mA			110	
Protection index (IP)				23	
Operating temperature	°F			23 ... 113	