



## MiniKom EasyF broadband multiband amplifier 5 inputs: FM- VHF-UHF-21..35-39..48

Configurable headend multiband amplifier for MATV systems with separate amplification that guarantees the absence of intermodulation among inputs.

Equipped with 5 inputs: FM-VHF-UHF-21...35-39....48. The UHF band is divided in 2 of the inputs, which is useful in two-repeater reception installations since it allows an appropriate filtering of the channels for each of them. The VHF and UHF inputs have both selectable gain margins, whereas the FM input has a single amplifying stage.

Equipped with a LTE700 filter, and an output LED signal indicator for immediate network failure detection.

<b>Ref.</b>	562324
<b>Logical ref.</b>	MVNF539DD2
<b>EAN13</b>	8424450273241

### Packaging info

<b>Box</b>	1 pcs.
------------	--------

### Physical data

<b>Net weight</b>	620.00 g
<b>Gross weight</b>	690.00 g
<b>Width</b>	103.00 mm

<b>Height</b>	103.00 mm
<b>Depth</b>	50.00 mm
<b>Main product weight</b>	620.00 g

## Highlights

---

- Very compact size (103 mm x 103 mm x 50 mm)
- LED indicators to display the presence of both output signal and power supply
- Switched configurable gain (high/low), and high output level
- Two amplifying stages for TV bands
- Switch-mode power supply ensuring low power consumption
- EasyF connection system
- High-screening Zamak chassis

## Main features

---

- Test output (-30 dB)
- Intuitive front cover, including adjustments and block diagram
- ON/OFF DC pass switch on VHF and UHF inputs for pre-amplifier or BOSS system powering
- Can be wall-mounted using screws

## Discover

---

### **EasyF connection system: simplicity and savings**

EasyF is an innovative connection concept where the inner conductor of the coaxial cable is directly inserted in the device, thus improving connection reliability. Thanks to the absence of F connectors, the chassis can be reduced and the connection of two cables secured with a single screw.

- Real time savings: speeding the installation is possible without the need for coaxial cable termination. Furthermore, there is no need for screwing the connectors on the device, which is sometimes difficult when there is little room
- Connection reliability: the clamp holding the cables prevents the coaxial cable to come off
- Cost savings: no additional connectors are required (neither F nor IEC)
- Space optimization: inputs and outputs are always on the same side of the device to prevent coaxial cables from bending, and to make working inside cabinets and register boxes easier
- Very easy three-step mounting: only screwing and unscrewing the covers is required to connect both cables:

1. Unscrew the device's cover to access the connection
2. Insert the previously stripped coaxial cables
3. Close the cover and screw to ensure connection

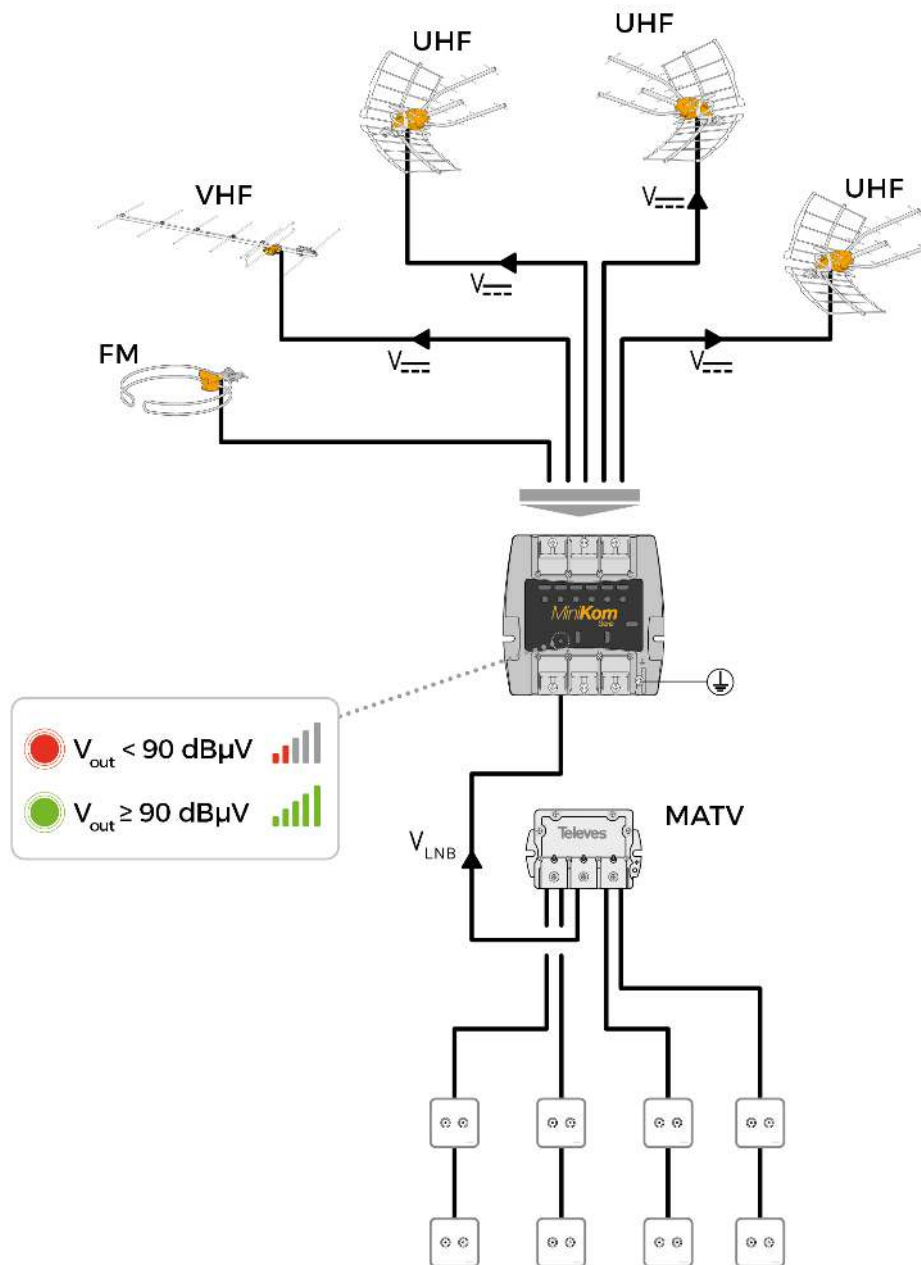
### **Learn more about EasyF system reliability**

With EasyF, the connection between the coaxial cable and the device is carried out using an automated system for contact insertion of the inner conductor, without any soldering.

- Always as new: the device's operating life increases when the factor of solder wearing out with time is removed
- Failure rate reduction: usually produced as a result of cold soldering joints
- Electromagnetic behaviour optimization: for high frequencies
- Our commitment with environment is reinforced: pollution caused by the welding process is eliminated and production power consumption is reduced

### Application example

---



## Technical specifications : Ref. 562324

Bands		FM	VHF	BIV	BV	UHF
Frequency range	MHz	88 ... 108	174 ... 400	470 ... 590	614 ... 694	470 ... 694
High gain	dB	15	34	34	35	36
Low gain	dB	15	24	24	25	26
Gain adjustment range	dB	0 ... 20	0 ... 20	0 ... 20	0 ... 20	0 ... 20
Noise figure	dB	6	5	10	10	10
Output level EN50083 IMD3 2tones -60dB	dBµV	120	121	123	123	123
Output level DIN45004B	dBµV	113	114	116	116	116
Output level EN50083 IMD3 2tones -60dB	dBµV	--	111	113	113	113
Output level EN50083 IMD2 2tones -60dB	dBµV	--	103	--	--	--
Powering per inputs	Vdc	0	12	12	12	12
Max current input	mA	0	200	200	200	200
Max. power consumption	W			10.5		
Current consumption	mA			110		
Max power consumption (Inputr powering OFF)	W			4.6		
Max power consumption (Inputs powering ON)	W			10.5		
Input voltage	Vac			220 ... 230		
Mains frequency				50 Hz / 60 Hz		
Number of inputs				5		
Number of outputs				1		
Connectors				"EasyF" type		
Protection index (IP)				20		
Operating temperature	°C			-5 ... 45		