



Overlight Optical Receiver with 2 SAT+Terr. Outputs FM/DAB/UHF/SAT

Enhanced electronics and optical engineering to light up your TV

Optical satellite and terrestrial receiver designed for 2-satellite and DTT installations. From its fiber input, it can capture combined optical TV signals (1200...1600nm) and subsequently, process and restore the original terrestrial and satellite TV signals, which it sends through its 2 coaxial outputs: DTT+SAT1 - DTT+SAT2, corresponding to two different satellite downcomers.

Thanks to its optimized electronics and low losses, it allows to reduce the number of amplifiers required and simplifies deployment in the design of collective installations, preserving the signal quality throughout the process. Furthermore, it is fully indicated for use in GPON installations.

This device is part of the Overlight system, that distributes satellite and terrestrial signals to multiple users through a single optical fiber.

This product is certified with the European IRS Certification Scheme mark, representing that it has passed the relevant test as set out in the latest EICS test specification, available from the DTG or CAI.

Ref.	237529
EAN13	8424450280782

Packaging info

Box	1 pcs.
------------	--------

Physical data

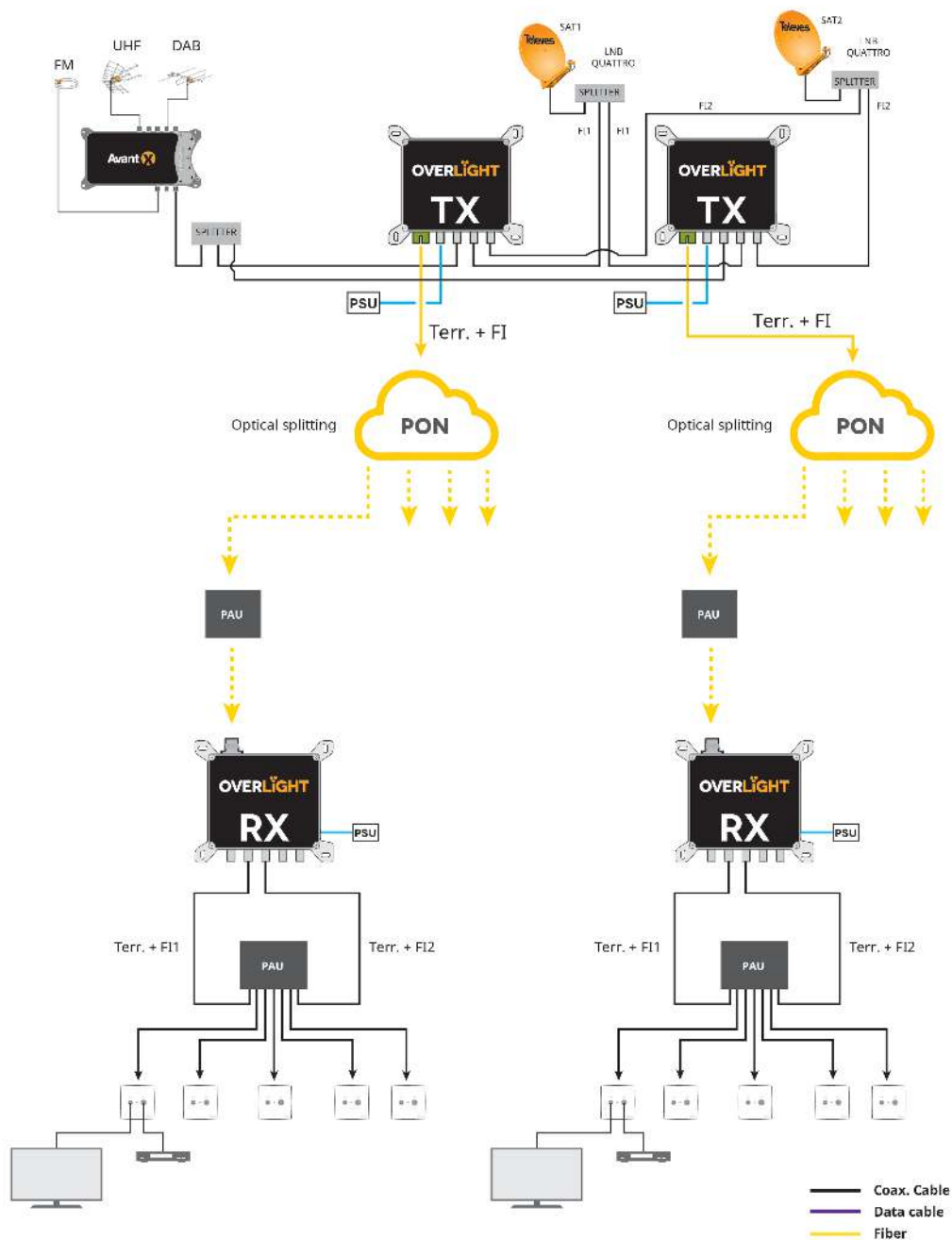
Net weight	497.00 g
Gross volume	2.60 dm ³
Gross weight	609.00 g
Width	137.00 mm
Height	125.00 mm
Depth	44.00 mm
Main product weight	345.00 g

Highlights

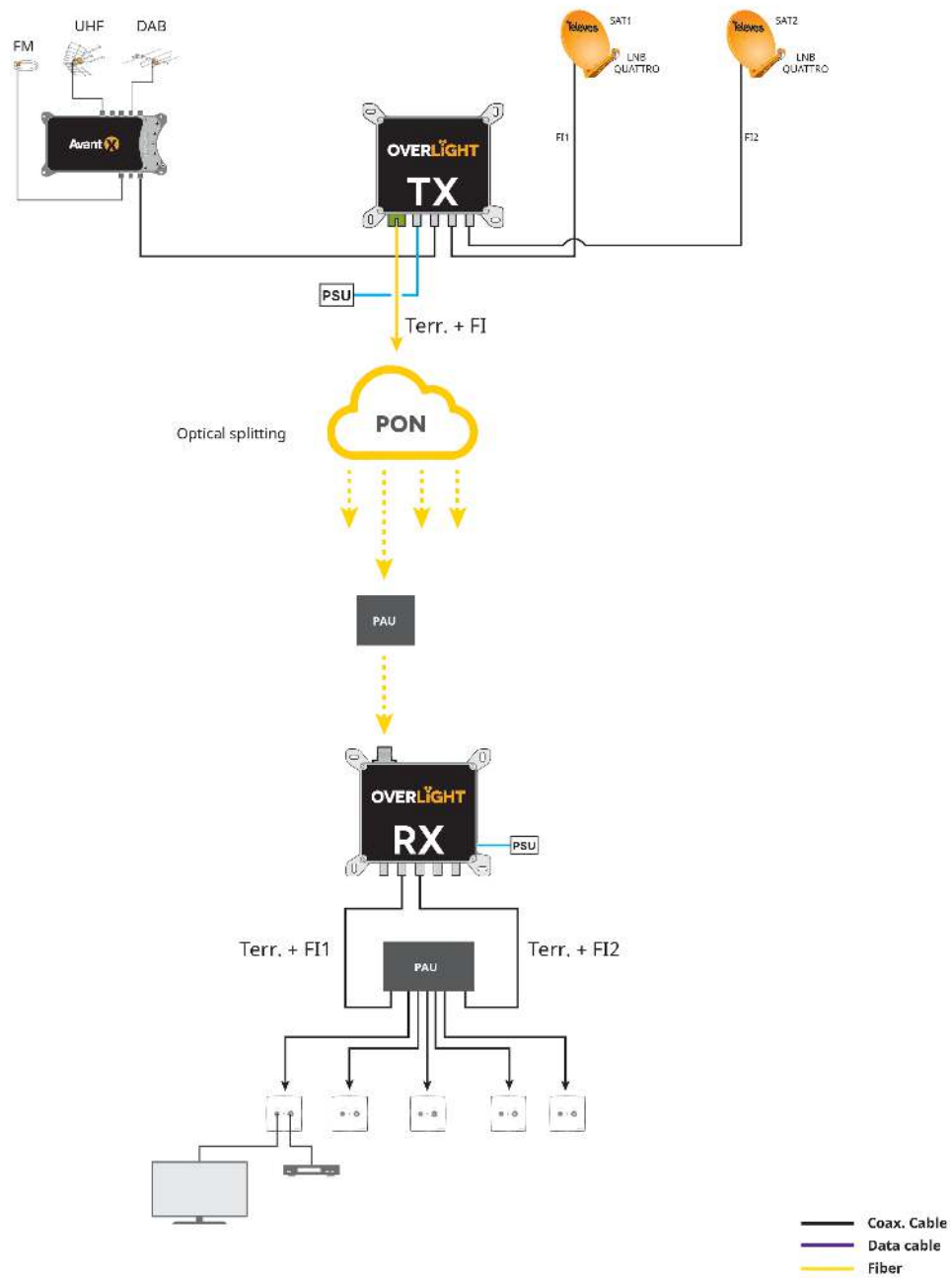
- **Independent inputs for each satellite downlink (SAT)**
- Low losses
- Optimized electronic behavior
- Very compact in dimensions and weight (137x120x30mm)
- **100% European design, quality, and manufacturing**
- High-screening Zamak chassis
- SC/APC optical connector
- F-type RF connectors
- Can be wall-mounted using screws
- Power supply unit included (Ref. 830209)
- LED indicator displaying signal status
- Compatible with IRS systems

Application example

DTT + 2 SAT up to 128 users



DTT + 2 SAT up to 64 users



Technical specifications : Ref. 237529

Number of outputs			2
TERR number of outputs			2
DTT+FI number of outputs			2
Inputs/Bands		TERR	FI
Output frequency range	MHz	47 ... 698	950 ... 2200
Output level	dBmV	19 ... 23	11 ... 15
Input wavelength	nm		1200 ... 1600
Optical input power	dBm		-15 ... -1
Optical return losses	dB		> 40
Optical receiving device			InGaAs PIN photodiode
Optical connectors			SC/APC
RF connectors			"F" female
Impedance	Ω		75
Powering	Vdc		12 ... 18
Max current consumption (@12V)	mA		195
Max current consumption (@18V)	mA		130
PSU input voltage	Vac		100 ... 240
Max PSU current input	mA		600
PSU output voltage	Vdc		12
Max PSU output current	A		1.5
PSU protection index			23
PSU operating temperature	°F		23 ... 113
Operating temperature	°F		23 ... 113

* These measurements are conditioned to the use of an Overlight transmitter