



## Overlight dCSS Optical Receiver with 4 dCSS/Legacy outputs+ Terr. FM/DAB/UHF/SAT

Enhanced electronics and optical engineering to light up your TV

This complete optical Wideband satellite and terrestrial receiver captures the TV optical signal on a single fiber (1200...1600nm) and restores the original terrestrial and satellite TV signals, providing dCSS/Legacy services and terrestrial through its 4 RF outputs, which makes it compatible with any new or existing set top boxes.

Thanks to its optimized electronics and low losses, it is possible to reduce the number of amplifiers required and simplify deployment in collective installations, while preserving the signal quality throughout the process. Furthermore, it is fully indicated for use in GPON installations, and it perfectly adapts to dCSS applications.

This device is part of the Overlight system, that distributes satellite and terrestrial signals to multiple users through a single optical fiber.

<b>Ref.</b>	237631
<b>Logical ref.</b>	OLR4N
<b>EAN13</b>	8424450319253

## Packaging info

---

<b>Box</b>	1 pcs.
------------	--------

---

## Physical data

---

<b>Net weight</b>	840.00 g
-------------------	----------

---

<b>Gross volume</b>	2.80 dm <sup>3</sup>
---------------------	----------------------

---

<b>Gross weight</b>	960.00 g
---------------------	----------

---

<b>Width</b>	149.00 mm
--------------	-----------

---

<b>Height</b>	130.00 mm
---------------	-----------

---

<b>Depth</b>	43.00 mm
--------------	----------

---

<b>Main product weight</b>	670.00 g
----------------------------	----------

---

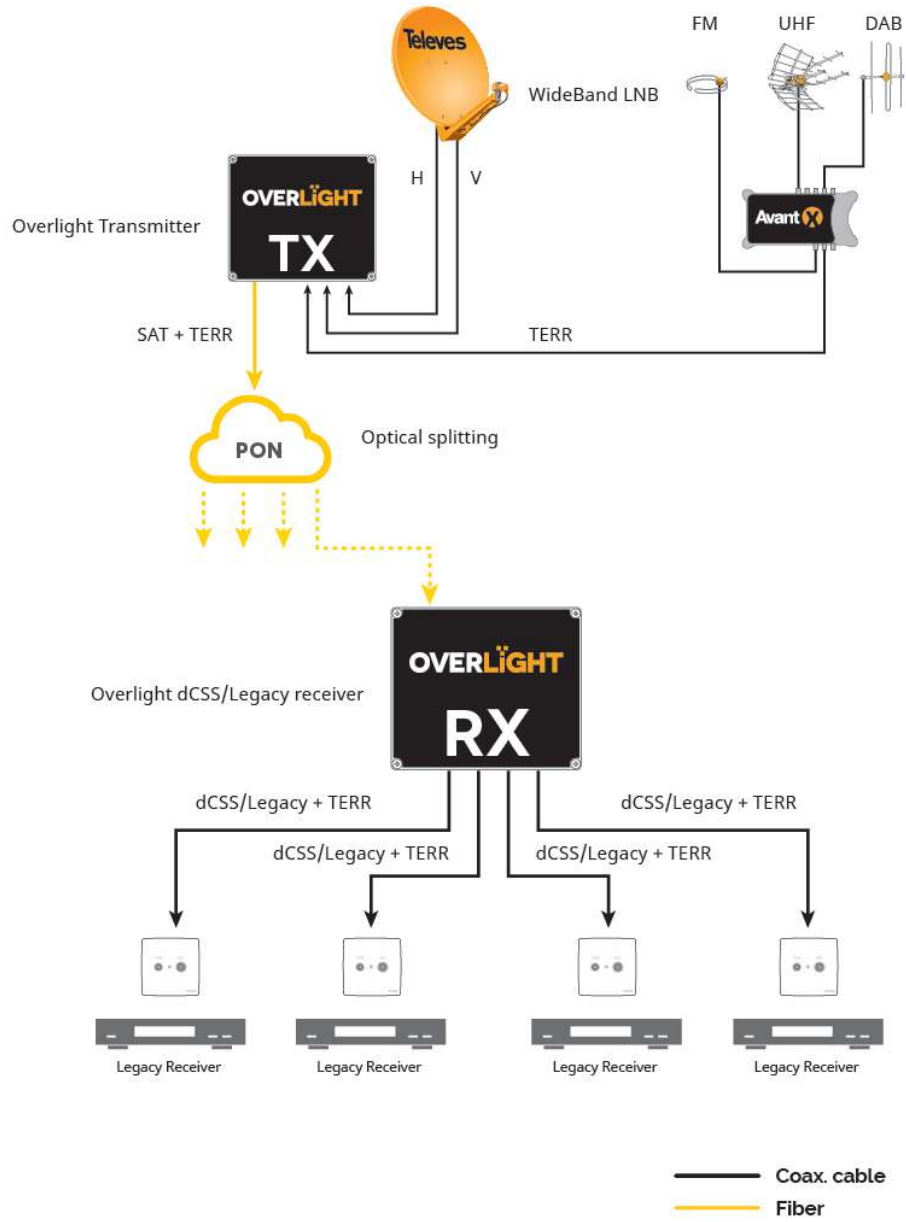
## Highlights

---

- Very compact in dimensions and weight
- Compatible with GPON deployments
- Fiber optic distribution with low losses and immunity to interference
- Robust, high-screening chassis made of Zamak for interference protection
- Can be wall-mounted using screws
- Includes external power supply
- 100% European design, quality, and manufacturing

## Application example

---



## Technical specifications : Ref. 237631

Number of outputs				4
TERR number of outputs				4
dCSS number of outputs				4
dCSS standard				Germany (EN50494/EN50607)
Legacy number of outputs				4
Inputs/Bands				
Output frequency range	MHz	TERR	Legacy	dCSS
Output level	dBmV	87 ... 694	950 ... 2150	--
Input wavelength	nm	9 ... 13	4 ... 11	20
Optical input power	dBm		1200 ... 1600	
Optical return losses	dB		-13 ... -6	
Optical receiving device			> 40	
Optical connectors			InGaAs PIN photodiode	
RF connectors			SC/APC	
Impedance	$\Omega$		"F" female	
Powering	Vdc		75	
Max current consumption (@12V)	mA		12 ... 18	
Max current consumption (@18V)	mA		790	
PSU input voltage	Vac		560	
Max PSU current input	mA		100 ... 240	
PSU output voltage	Vdc		600	
Max PSU output current	A		12	
PSU protection index			1.5	
PSU operating temperature	°F		23	
Operating temperature	°F		23 ... 113	

These measurements are conditioned to the use of an Overlight transmitter