



Overlight dCSS Optical Receiver with 4 dCSS/Legacy outputs For Multichoice applications, FM/DAB/UHF/SAT

Enhanced electronics and optical engineering to light up your TV

This complete optical Wideband satellite and terrestrial receiver captures the TV optical signal on a single fiber (1200...1600nm) and restores the original terrestrial and satellite TV signals, providing Multichoice services and terrestrial through its 4 RF outputs.

Thanks to its optimized electronics and low losses, it is possible to reduce the number of amplifiers required and simplify deployment in collective installations, while preserving the signal quality throughout the process. Furthermore, it is fully indicated for use in GPON installations, and it perfectly adapts to Multichoice applications.

This device is part of the Overlight system, that distributes satellite and terrestrial signals to multiple users through a single optical fiber.

Ref.	237632
EAN13	8424450319260

Packaging info

Box	1 pcs.
------------	--------

Physical data

Net weight	840.00 g
-------------------	----------

Gross volume	2.80 dm ³
---------------------	----------------------

Gross weight	960.00 g
---------------------	----------

Width	149.00 mm
--------------	-----------

Height	130.00 mm
---------------	-----------

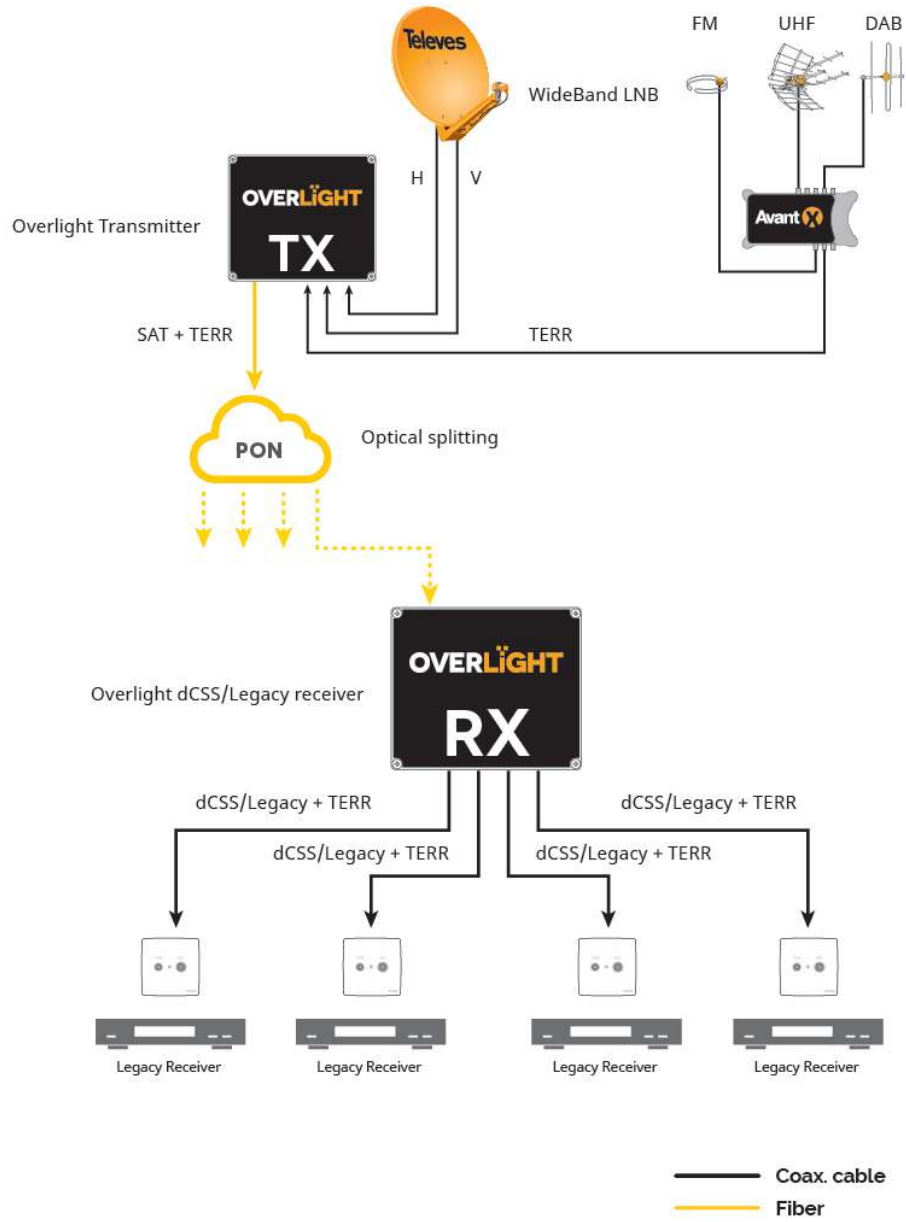
Depth	43.00 mm
--------------	----------

Main product weight	670.00 g
----------------------------	----------

Highlights

- Very compact in dimensions and weight
- Compatible with GPON deployments
- Supports Multichoice modes
- Fiber optic distribution with low losses and immunity to interference
- Robust, high-screening chassis made of Zamak for interference protection
- Can be wall-mounted using screws
- Includes external power supply
- 100% European design, quality, and manufacturing

Application example



Technical specifications : Ref. 237632

Number of outputs				4
TERR number of outputs				4
dCSS number of outputs				4
dCSS standard				Multichoice (EN50494/EN50607)
Legacy number of outputs				4
Inputs/Bands		TERR	Legacy	dCSS
Output frequency range	MHz	87 ... 694	950 ... 2150	--
Output level	dBmV	9 ... 13	4 ... 11	20
Input wavelength	nm		1200 ... 1600	
Optical input power	dBm		-13 ... -6	
Optical return losses	dB		> 40	
Optical receiving device			InGaAs PIN photodiode	
Optical connectors			SC/APC	
RF connectors			"F" female	
Impedance	Ω		75	
Powering	Vdc		12 ... 18	
Max current consumption (@12V)	mA		790	
Max current consumption (@18V)	mA		560	
Operating temperature	°F		23 ... 113	

These measurements are conditioned to the use of an Overlight transmitter