



## Overlight optical transmitter CWDMM, Indoor use, 2SAT+DTT, 1310nm, Po 10dBm

Enhanced electronics and optical engineering to light up your TV

CWDM optical transmitter, specially designed for 2-satellite and DTT installations. It receives one polarity and one band from each of the two satellites of the installation, as well as the terrestrial signal, for multiplexing and distributing them up to 64 users over a fiber output in the 1310nm window with 10dBm optical power.

Thanks to its optimized electronics and low losses, it allows to reduce the number of amplifiers required and simplifies deployment in the design of collective installations, preserving the signal quality throughout the process.

This device is part of the Overlight system, that distributes satellite and terrestrial signals to multiple users through a single optical fiber.

It supports amplification.

This product is certified with the European IRS Certification Scheme mark, representing that it has passed the relevant test as set out in the latest EICS test specification, available from the DTG or CAI.

---

Ref. 237509

---

EAN13

8424450280775

## Packing

**Box** 1 pcs.

## Physical data

**Net weight** 497.00 g

**Gross weight** 609.00 g

**Width** 137.00 mm

**Height** 123.00 mm

**Depth** 44.00 mm

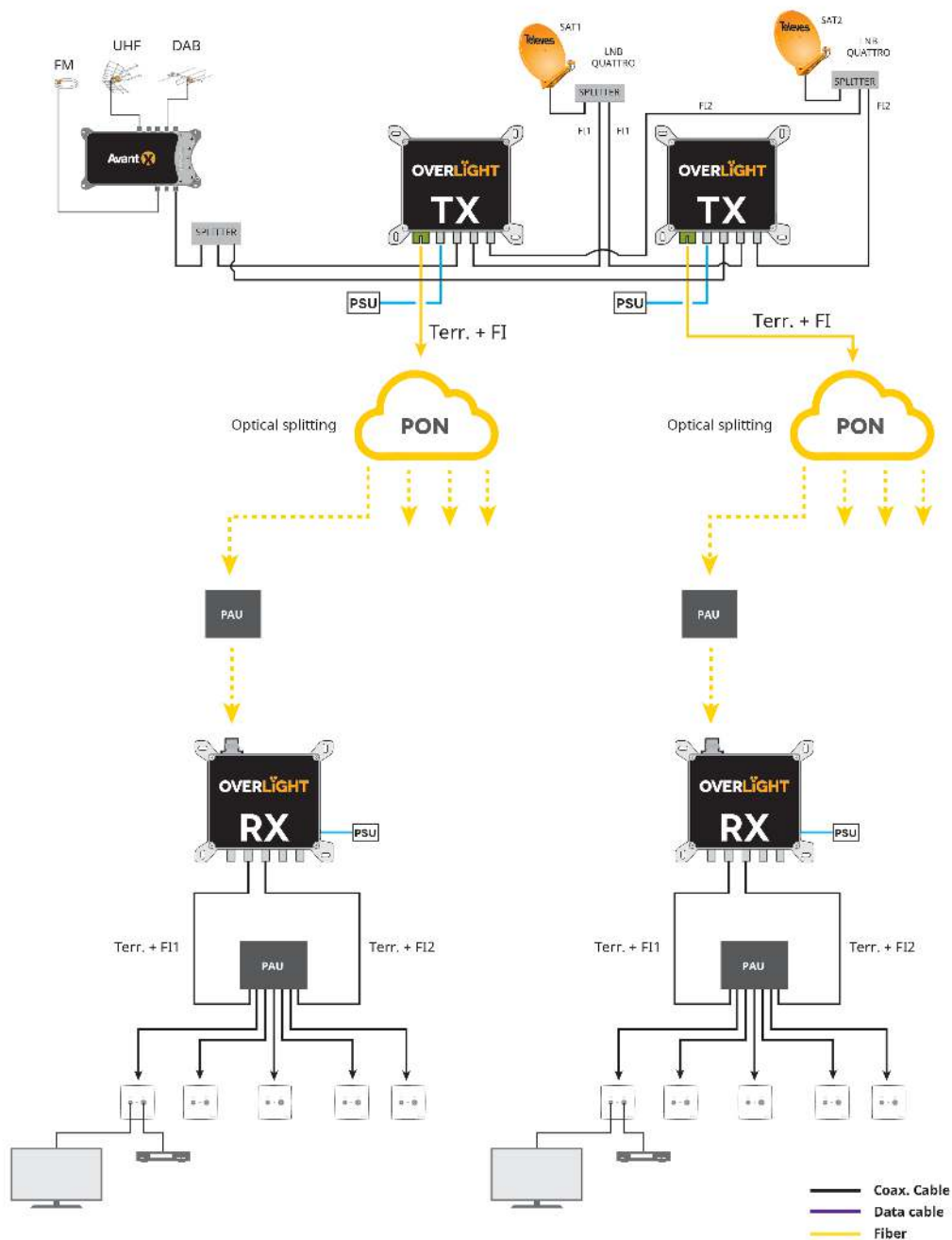
**Main product weight** 343.00 g

## Highlights

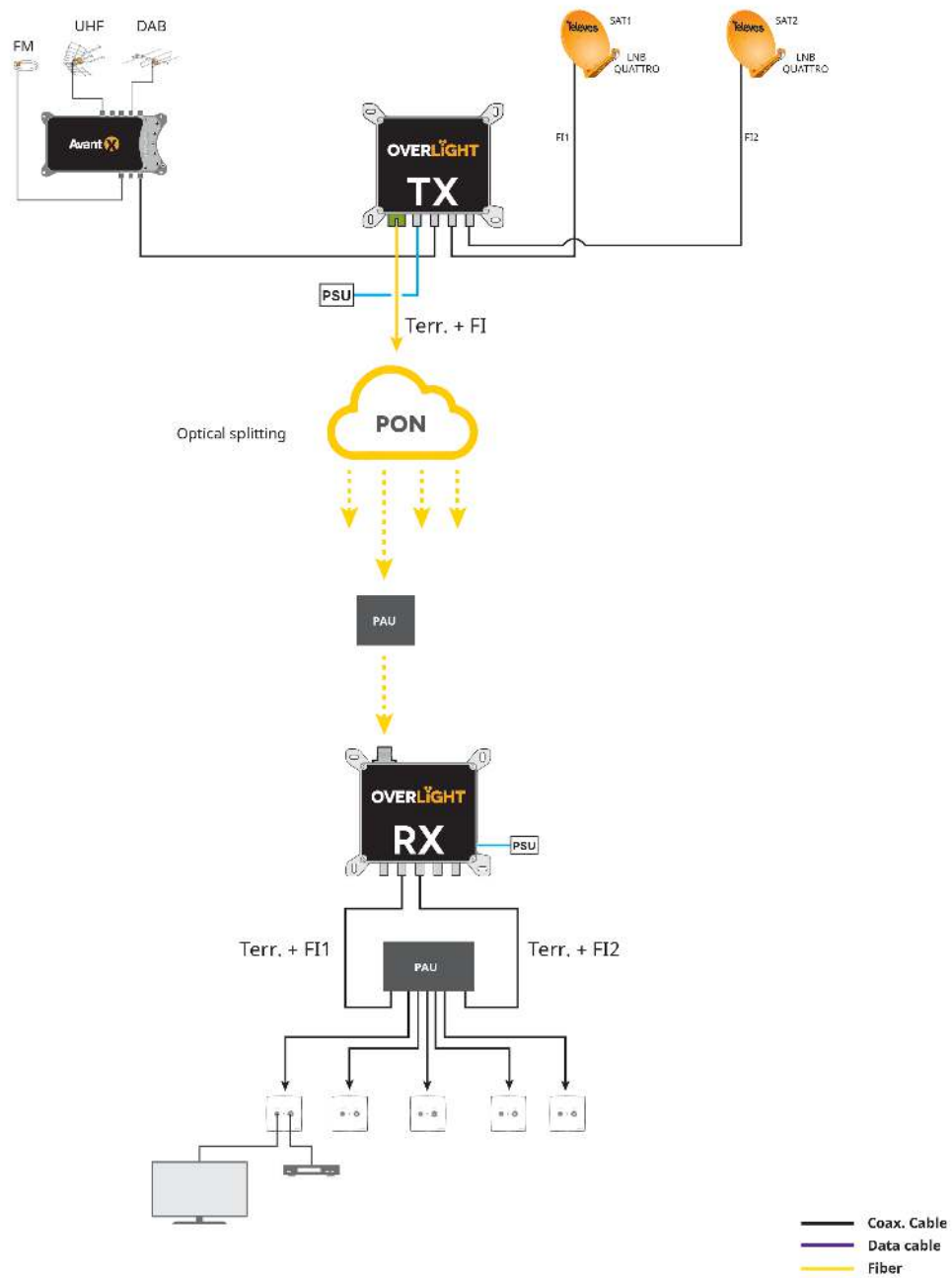
- **Independent inputs for each satellite downlink (IF) and terrestrial**
- **High output level that makes it ideal for collective installations of up to 64 users**
- Compatible with Quattro LNB offset (ref. 747701)
- Low losses
- Optimized electronic behavior
- Very compact in dimensions and weight (137x126x45mm)
- Designed for indoor installation
- **100% European design, quality, and manufacturing**
- SC/APC optical connector
- F-type RF connectors
- High-screening Zamak chassis
- Wall and mast mounting
- Power supply and adapter cable for F connector input included
- DC pass from the satellite inputs (IF) and the terrestrial input to the amplifier or LNB
- LED signal status indicator

## Application example

### DTT + 2 SAT up to 128 users



### DTT + 2 SAT up to 64 users



## Technical specifications : Ref. 237509

Inputs/Bands		TERR	FI 1	FI 2
Frequency range	MHz	47 ... 698	950 ... 2200	950 ... 2200
Input level	dBμV	83 ... 95	70 ... 85	70 ... 85
Number of MUX for Input level		24	30	30
MUX bandwidth for Input level	MHz	8	40	40
Powering per inputs	Vdc	11.7 ... 17.7	11.7 ... 17.7	11.7 ... 17.7
Max. current pass	mA	500	500	500
Max. current pass total inputs	mA		1000	
Impedance	Ω		75	
Laser			MQW-DFB uncooled	
Wavelength	nm		1310	
Optical output power	dBm		10	
RF connectors			"F" female	
Optical connectors			SC/APC	
Powering	Vdc		12 ... 18	
Max. power consumption	W		4.2	
Current consumption	mA		< 350	
Operating temperature	°C		-5 ... 45	
PSU input voltage	Vac		100 ... 240	
Max PSU current input	mA		600	
PSU output voltage	Vdc		12	
Max PSU output current	A		1.5	