



## CWDM optical Multiplexer 4 inputs: 1510/1530/1550/1570nm – 1 output + PSU

Optical Multiplexer component for full 4-satellite applications with integrated power supply. This device receives the satellite and terrestrial signal from 4 optical transmitters at wavelengths 1510 /1530 /1550 / 1570 nm, multiplexes them and sends them over a single using the CWDM technique. It also includes 4 power outputs to provide energy to the transmitters used in the solution.

<b>Ref.</b>	234750
<b>Logical ref.</b>	OCWDM4SPSU
<b>EAN13</b>	8424450286494

### Packaging info

<b>Box</b>	1 pcs.
------------	--------

### Physical data

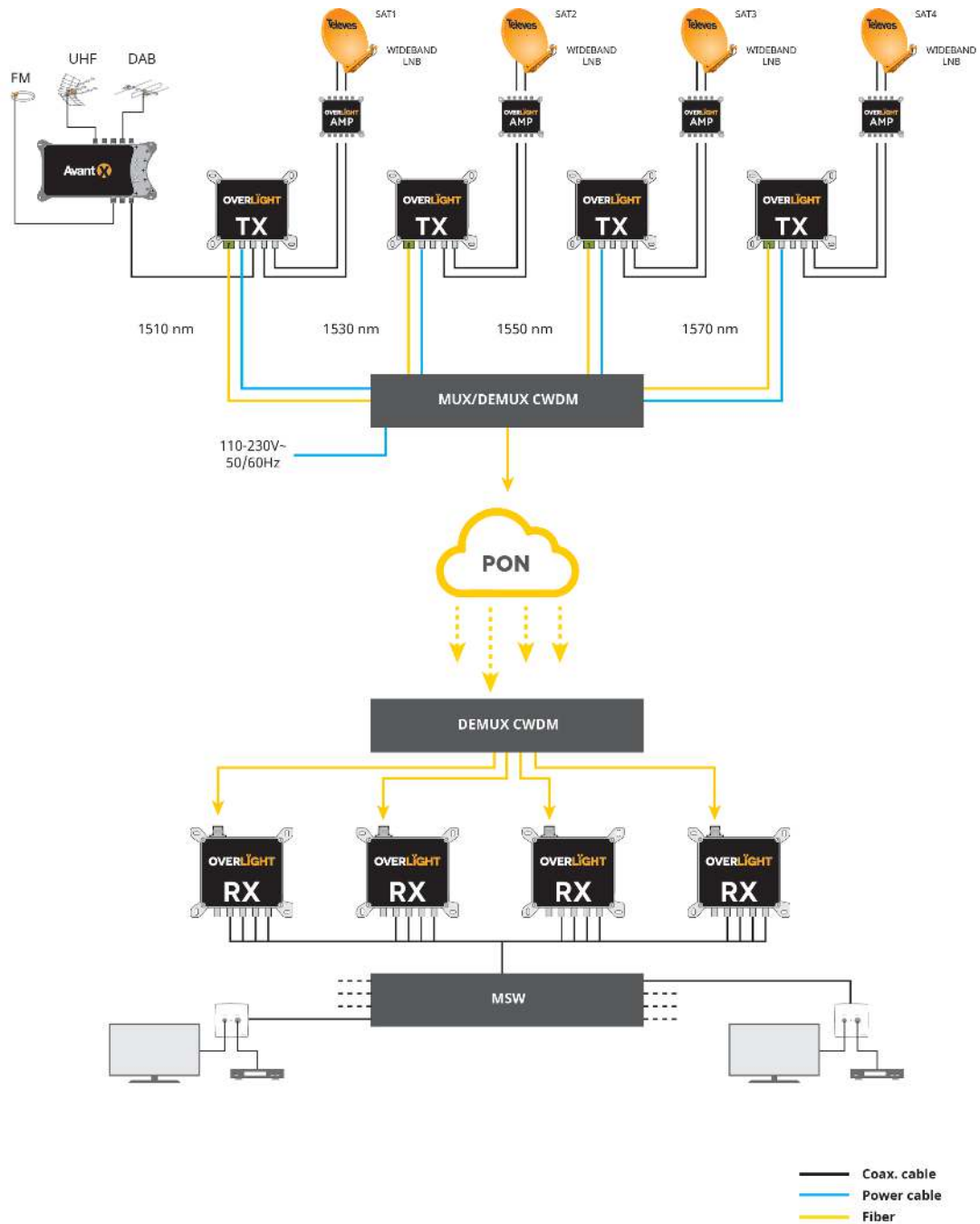
<b>Net weight</b>	1,573.00 g
<b>Gross volume</b>	4.96 dm <sup>3</sup>
<b>Gross weight</b>	2,800.00 g
<b>Width</b>	483.00 mm
<b>Height</b>	45.00 mm
<b>Depth</b>	228.00 mm
<b>Main product weight</b>	1,573.00 g

### Highlights

- CWDM (Coarse Wavelength Division Multiplexing) technology
- Compatible with Overlight Series transmitters for 4-satellite and terrestrial TV transmission solutions for up to 64 users through a single optical fiber
- Includes 4 power outputs to provide energy to transmitter devices
- Higher distribution distance
- Smaller signal losses
- Higher bandwidth
- Designed for indoor installation
- 100% European design, quality, and manufacturing
- SC/APC optical connectors
- F-type connectors
- Rack mounting

## Application example

---



## Technical specifications : Ref. 234750

Number of inputs				4
Number of outputs				1
Wavelength	nm	1510	1530	1550
Max. optical power	dBm	26.9	26.9	26.9
Channel passband	nm	1503.5 ... 1516.5	1523.5 ... 1536.5	1543.5 ... 1556.5
Max. optical power	dBm			26.9
Insertion losses	dB			1.2
Channel spacing	nm			20
Isolation between adjacent channels	dB			30
Isolation between non-adjacent channels	dB			40
Optical return losses	dB			> 45
Connectors				"F" female
Optical connectors				SC/APC
PSU input voltage	Vac			110 ... 230
Mains frequency				50 Hz / 60 Hz
Max. power consumption	W			68
Current consumption	mA			< 1100
Powering per output	Vdc			12
Max. output current	mA			1100
Operating temperature	°F			23 ... 113
Protection index (IP)				20